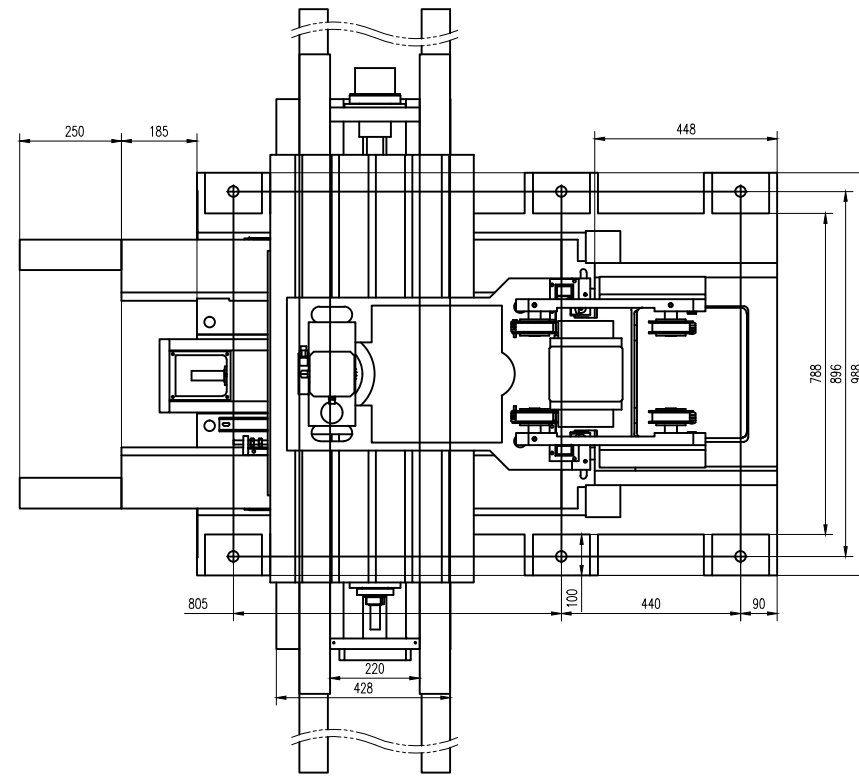
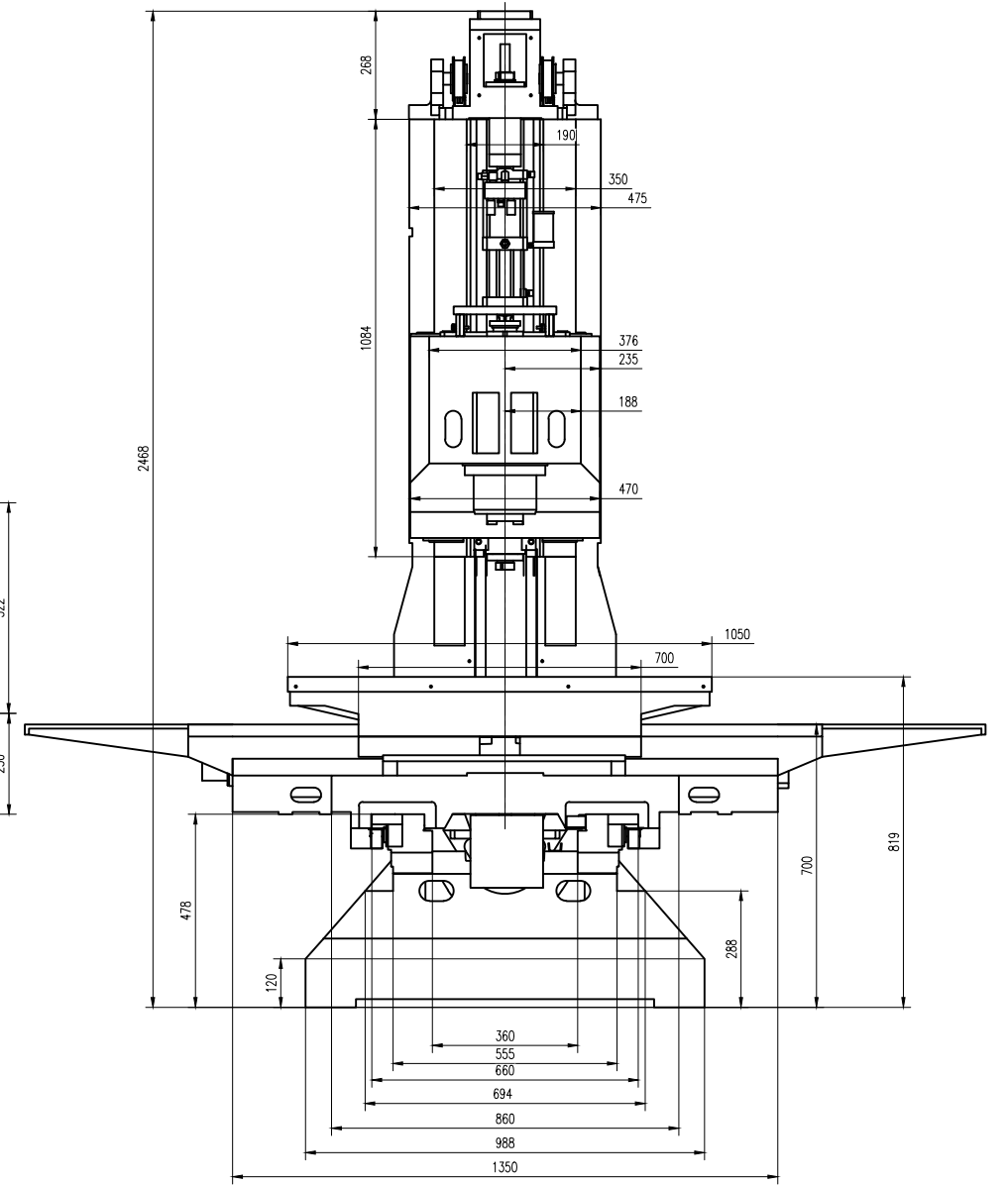
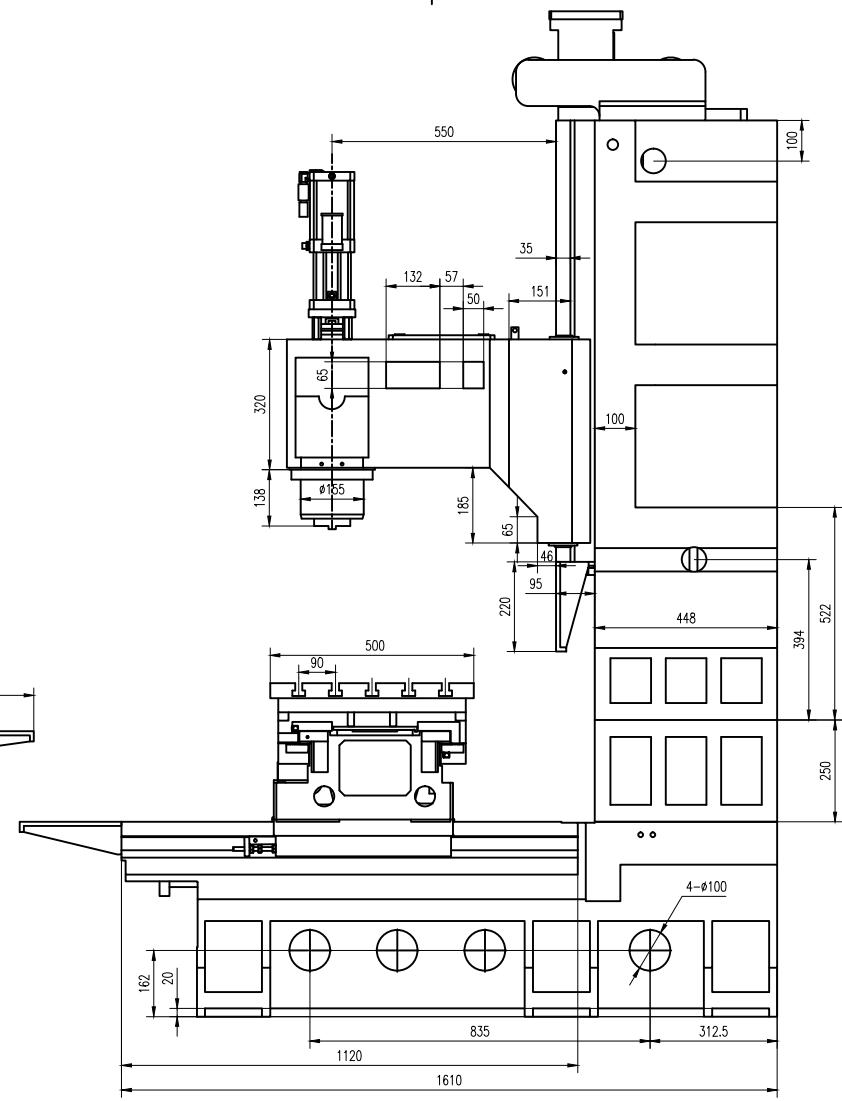
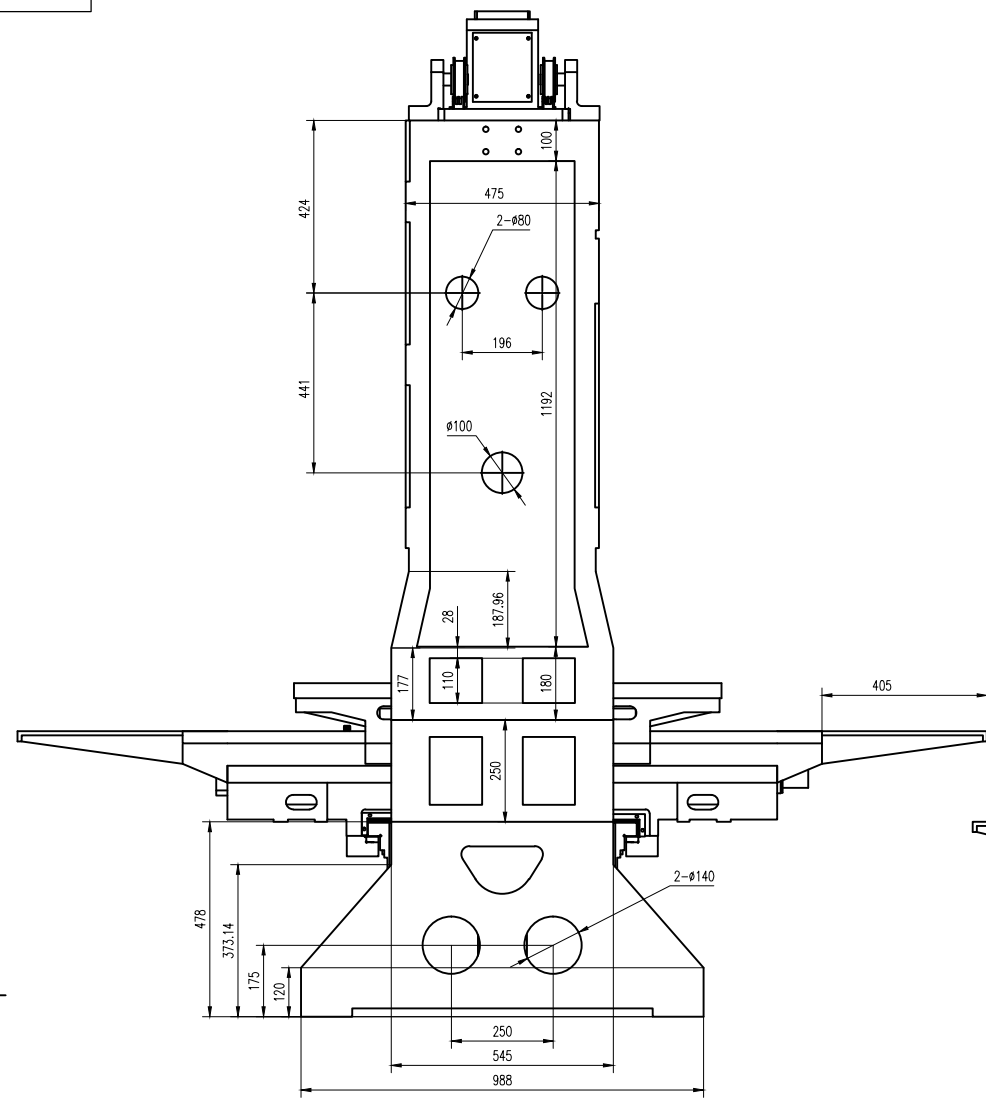
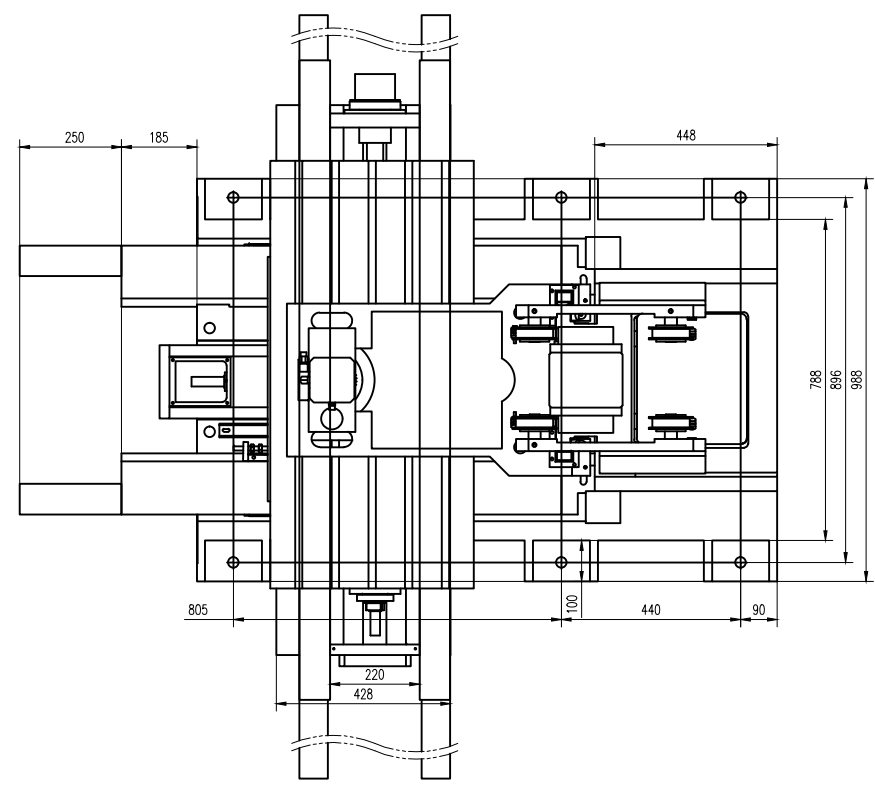
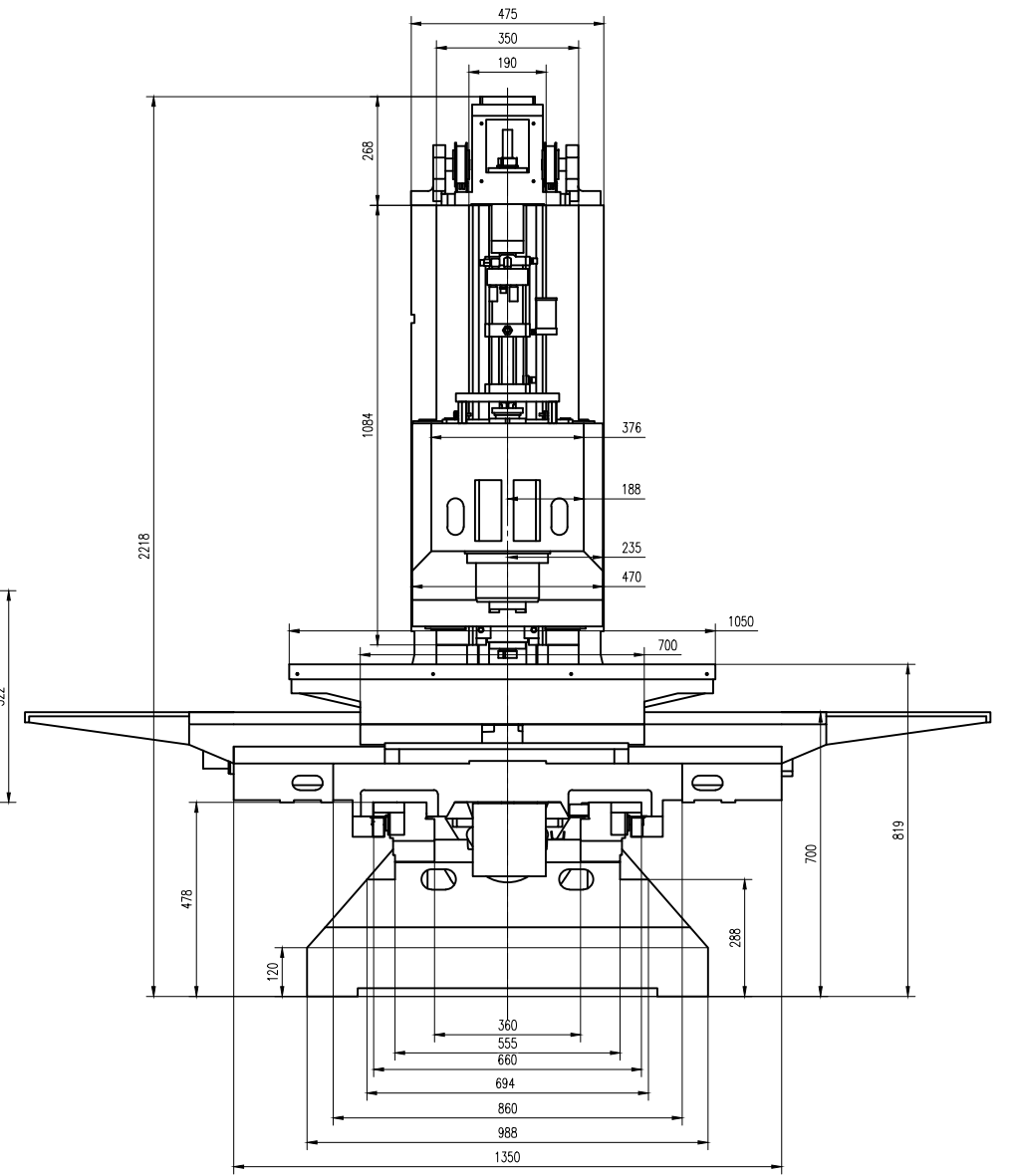
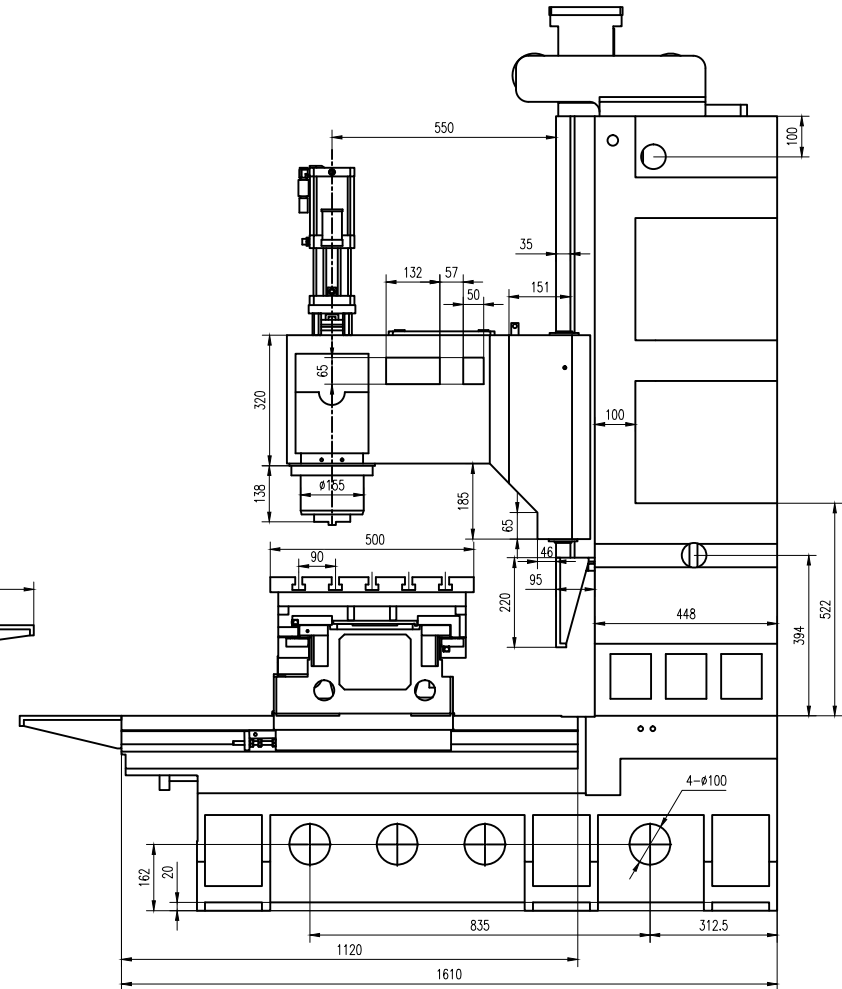
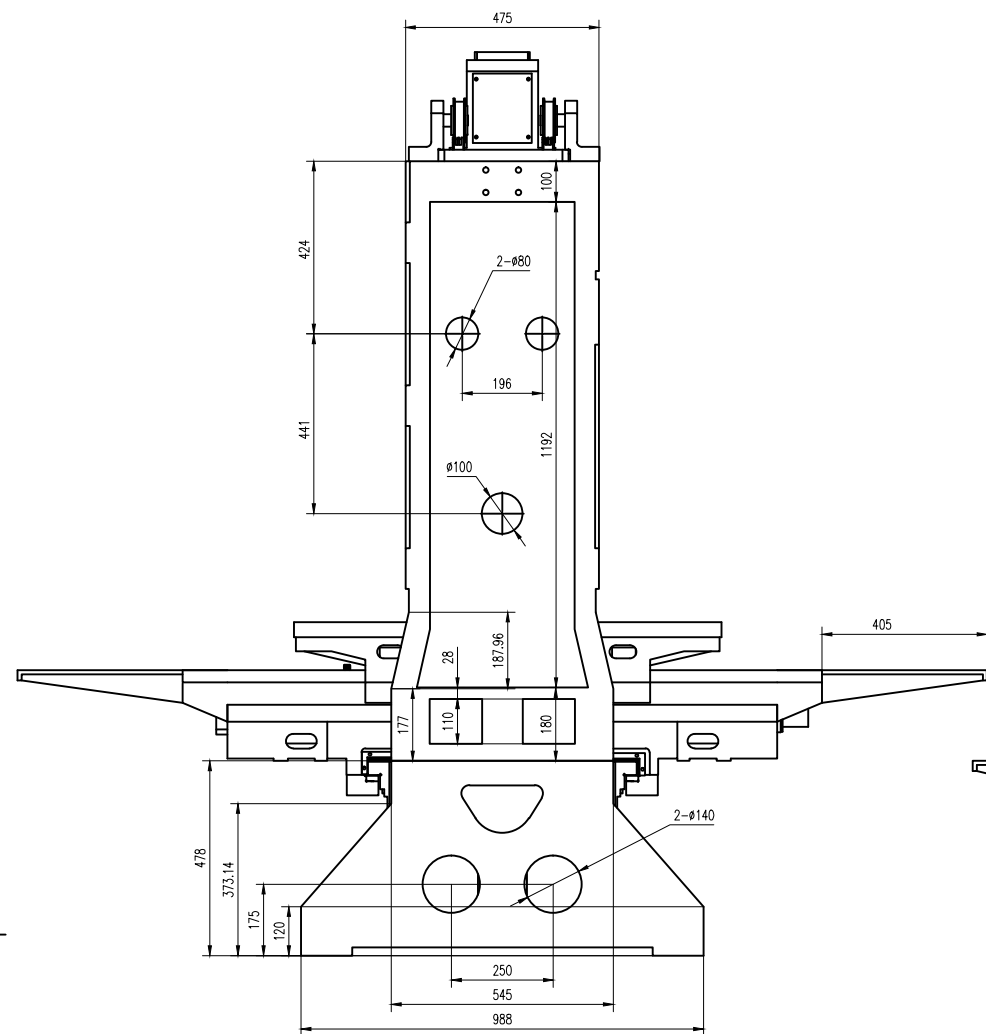


ratio	model	CTMT-850B	Machine name	VMC	Part 1 (Group)	Total 1 page
1:10						Page 1
design			Sichuan Chentian machine tool manufacturing Co.,LTD		remarks	
proofread						
product design						
review						
Process review						
audit			division name	tool magazine hole bitmap	figure number	CTMT-850B-002



Guide rail cover
 support length
 X direction : 405
 Y direction : 250
 Z direction : 220

ratio	model	CTMT-850B	Machine name	VMC	Part 1 (Group)	Total 1 page
1:6	design					Page 1
proofread	product design		Sichuan Chentian machine tool manufacturing Co.,LTD		remarks	X axis travel 800 Y axis travel 500 Z axis travel 500
review	Process review					
audit			division name	bare engine outside view (height=250)	figure number	CTMT-850B-001



Guide rail cover
 support length
 X direction : 405
 Y direction : 250
 Z direction : 220

ratio	model	CTMT-850B	Machine name	VMC	Part 1 (Group)	Total 1 page
1:6	design					Page 1
proofread	product design	review	Sichuan Chentian machine tool manufacturing Co.,LTD	remarks	X axis travel 800 Y axis travel 500 Z axis travel 500	
Process review						
audit						
	division name	bare outside view	engine number	figure number	CTMT-850B-001	