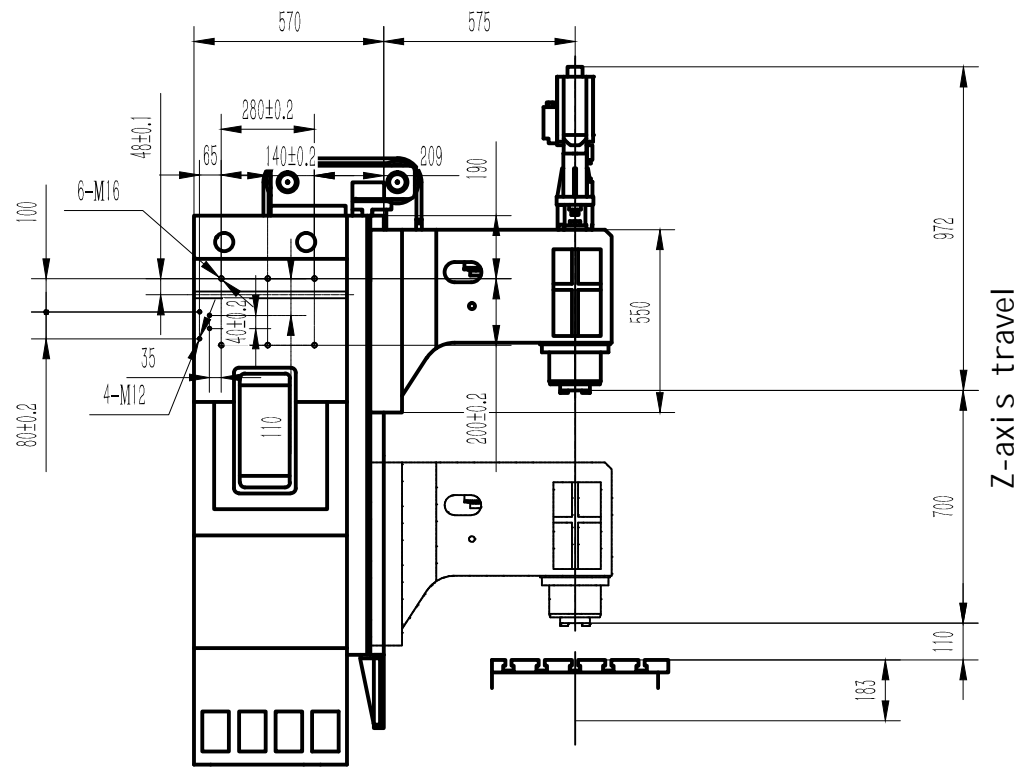


| | | | | | | |
|----------------|-------|-----------|-----------------------------------------------------------|----------------------|------------------|------------------------|
| ratio 1:18 | model | CTMT-850C | Machine name | VMC | Part 1 (Group) | Total 1 page Page 1 |
| design | | | Sichuan Chentian machine tool manufacturing Co.,LTD | engine | remarks | |
| proofread | | | | | | |
| product design | | | | | | |
| review | | | | | | |
| Process review | | | division name | bare outside view | figure number | CTMT-850C-001 |
| audit | | | | | | |

A

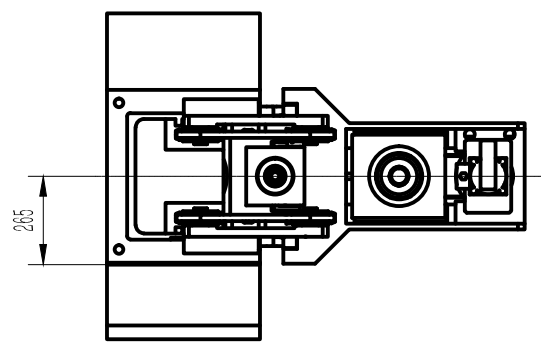
A



Z-axis travel

B

B



| | | | | | | |
|-----------------|-------|------|-----------------------------------------------------------|-------------------------------------------|--------------------|---------------|
| ratio 1:20 | model | 850C | Machine name | VMC | materials | Remarks |
| design | | | Sichuan Chentian machine tool manufacturing Co.,LTD | | finished weight | KG |
| proofread | | | | | number of cases | 1 |
| product design | | | | | figure number | |
| Standard review | | | | | Accessories number | |
| Process review | | | | | | |
| audit | | | division name | CTMT-850C tool magazine hole bitmap | part(s) number | CTMT-850C-002 |