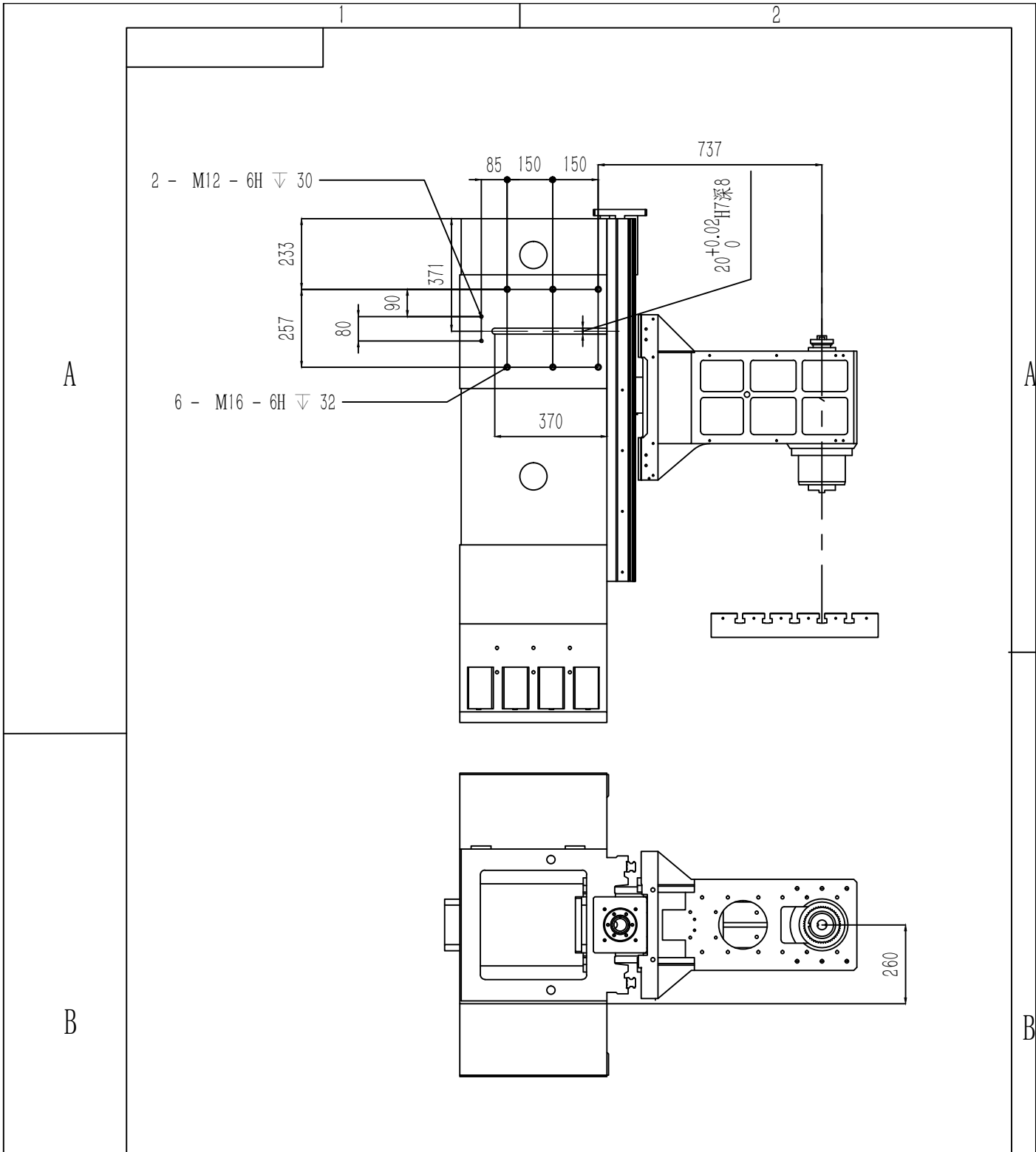
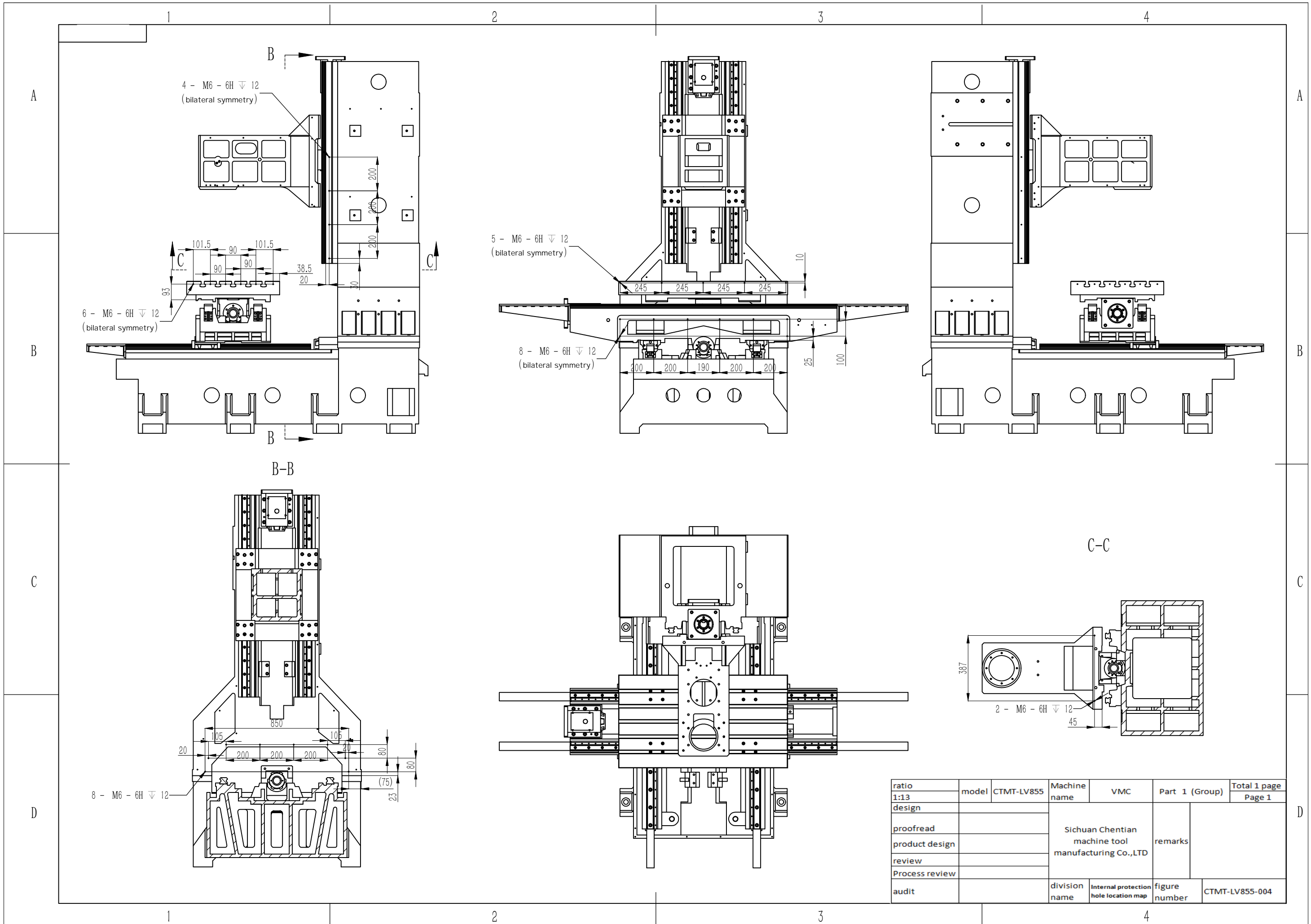


|                |       |            |   |                          |                |                  |
|----------------|-------|------------|---|--------------------------|----------------|------------------|
| ratio          | model | CTMT-LV855 | Machine name  | VMC                      | Part 1 (Group) | Total 1 page     |
| 1:20           |       |            |   |                          |                | Page 1           |
| design         |       |            | Sichuan Chentian<br>machine tool<br>manufacturing Co.,LTD |                          | remarks        |                  |
| proofread      |       |            |   |                          |                |                  |
| product design |       |            |   |                          |                |                  |
| review         |       |            |   |                          |                |                  |
| Process review |       |            |   |                          |                |                  |
| audit          |       |            | division name   | bare engine outside view | figure number  | CTMT-LV855-10001 |



|                |       |            |   |                           |                |                |
|----------------|-------|------------|---|---------------------------|----------------|----------------|
| ratio          | model | CTMT-LV855 | Machine name  | VMC                       | Part 1 (Group) | Total 1 page   |
| 1:20           |       |            |   |                           |                | Page 1         |
| design         |       |            | Sichuan Chentian<br>machine tool<br>manufacturing Co.,LTD | remarks                   |                |                |
| proofread      |       |            |   |                           |                |                |
| product design |       |            |   |                           |                |                |
| review         |       |            |   |                           |                |                |
| Process review |       |            |   |                           |                |                |
| audit          |       |            | division name   | tool magazine hole bitmap | figure number  | CTMT-LV855-002 |



|                |       |            |   |  |                |                        |
|----------------|-------|------------|---|--|----------------|------------------------|
| ratio<br>1:13  | model | CTMT-LV855 | Machine name  | VMC                                      | Part 1 (Group) | Total 1 page<br>Page 1 |
| design         |       |            | Sichuan Chentian<br>machine tool<br>manufacturing Co.,LTD |  | remarks        |                        |
| proofread      |       |            |   |  |                |                        |
| product design |       |            |   |  |                |                        |
| review         |       |            |   |  |                |                        |
| Process review |       |            |   |  |                |                        |
| audit          |       |            | division name   | Internal protection<br>hole location map | figure number  | CTMT-LV855-004         |