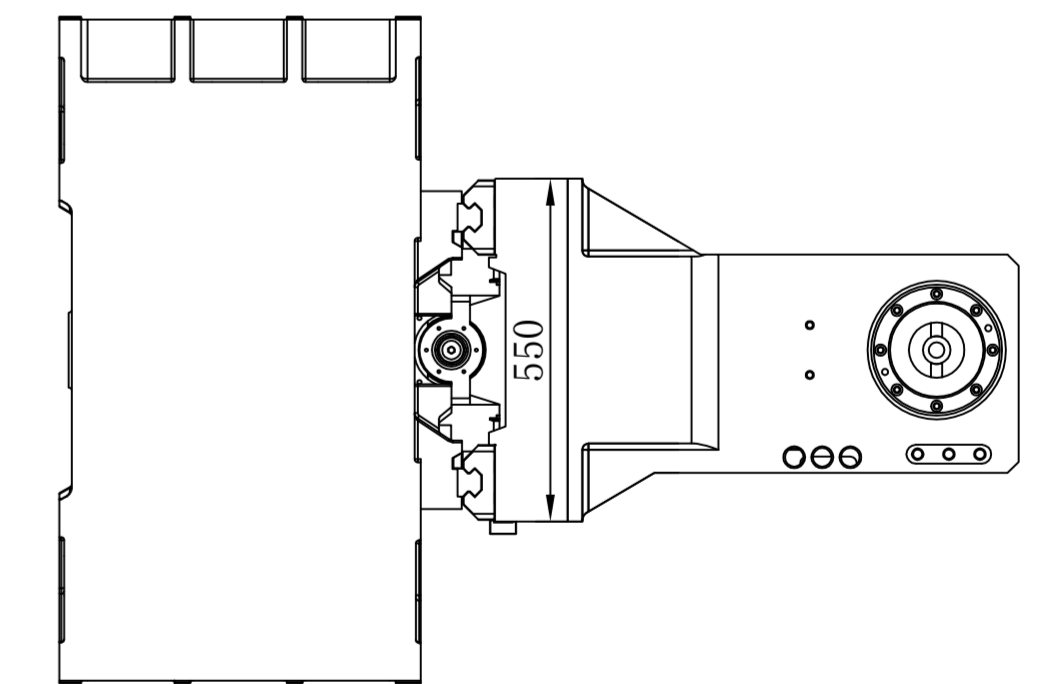
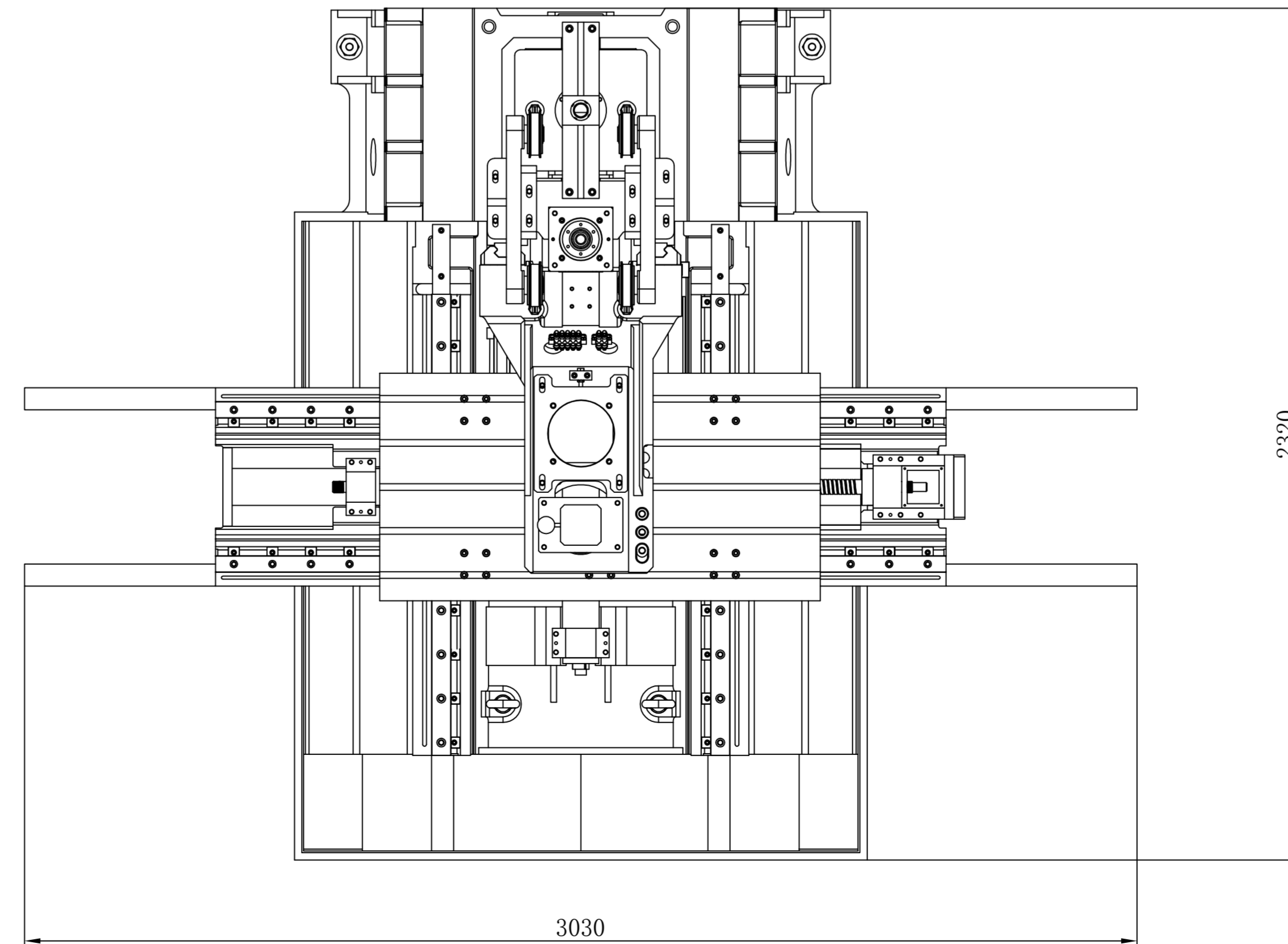
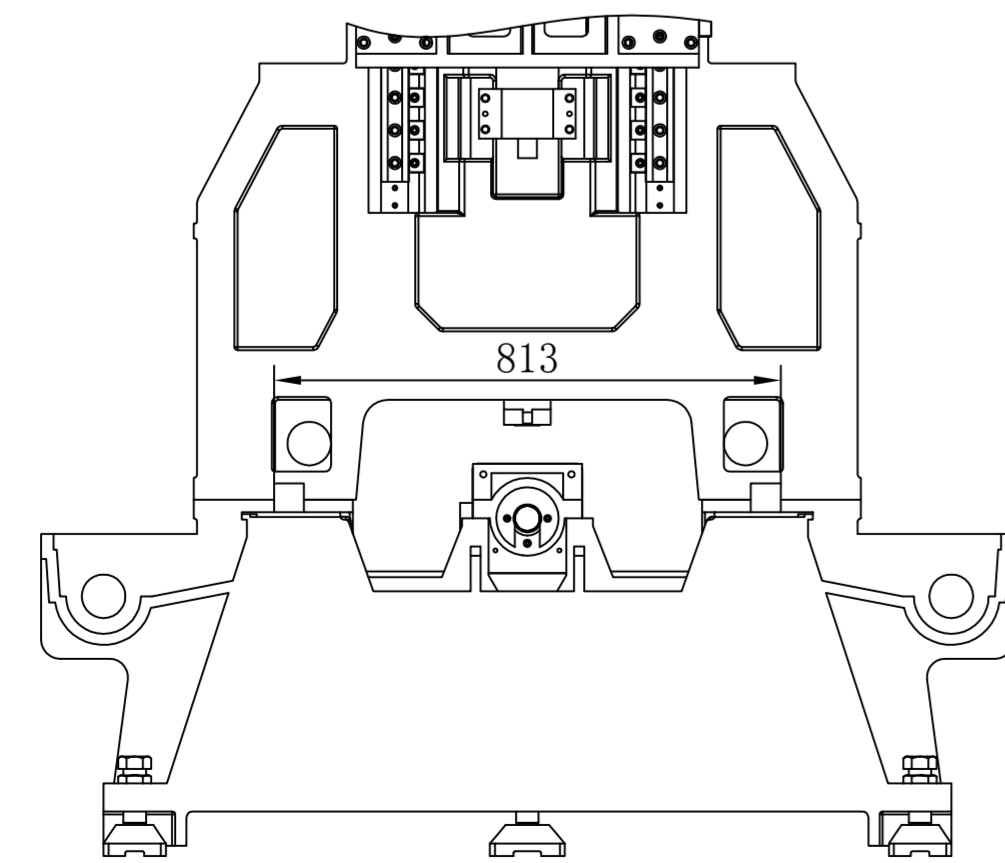
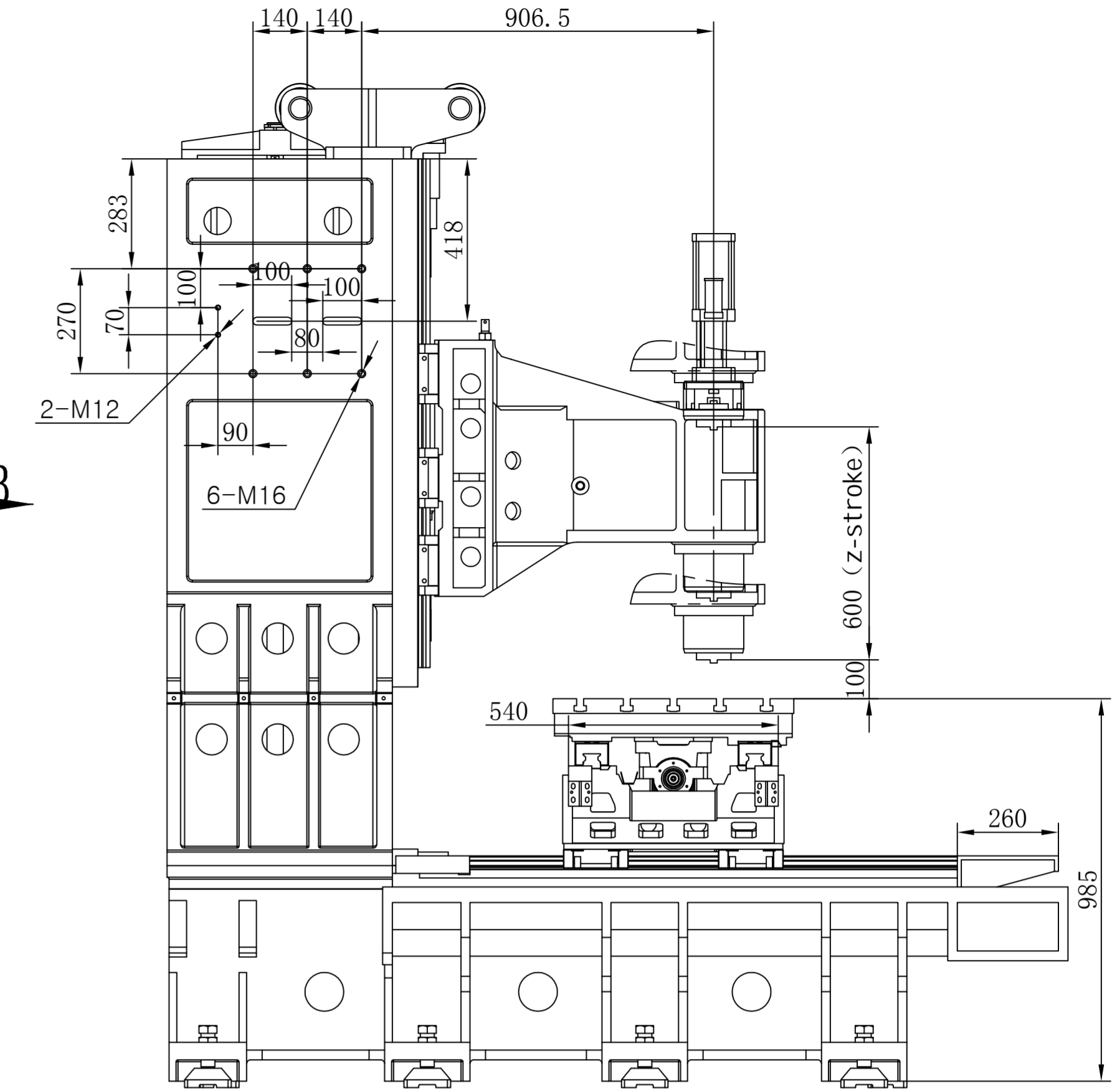
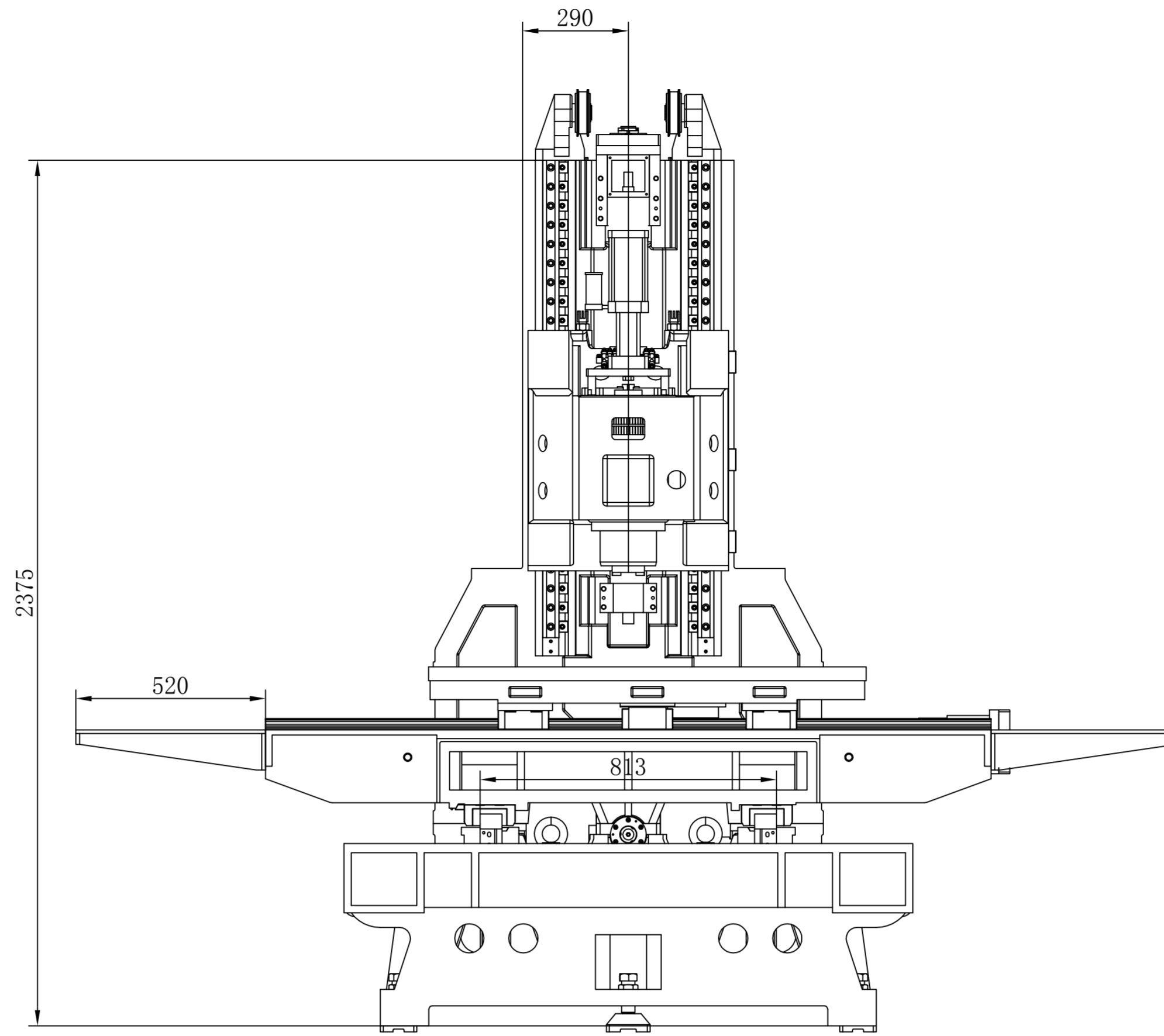
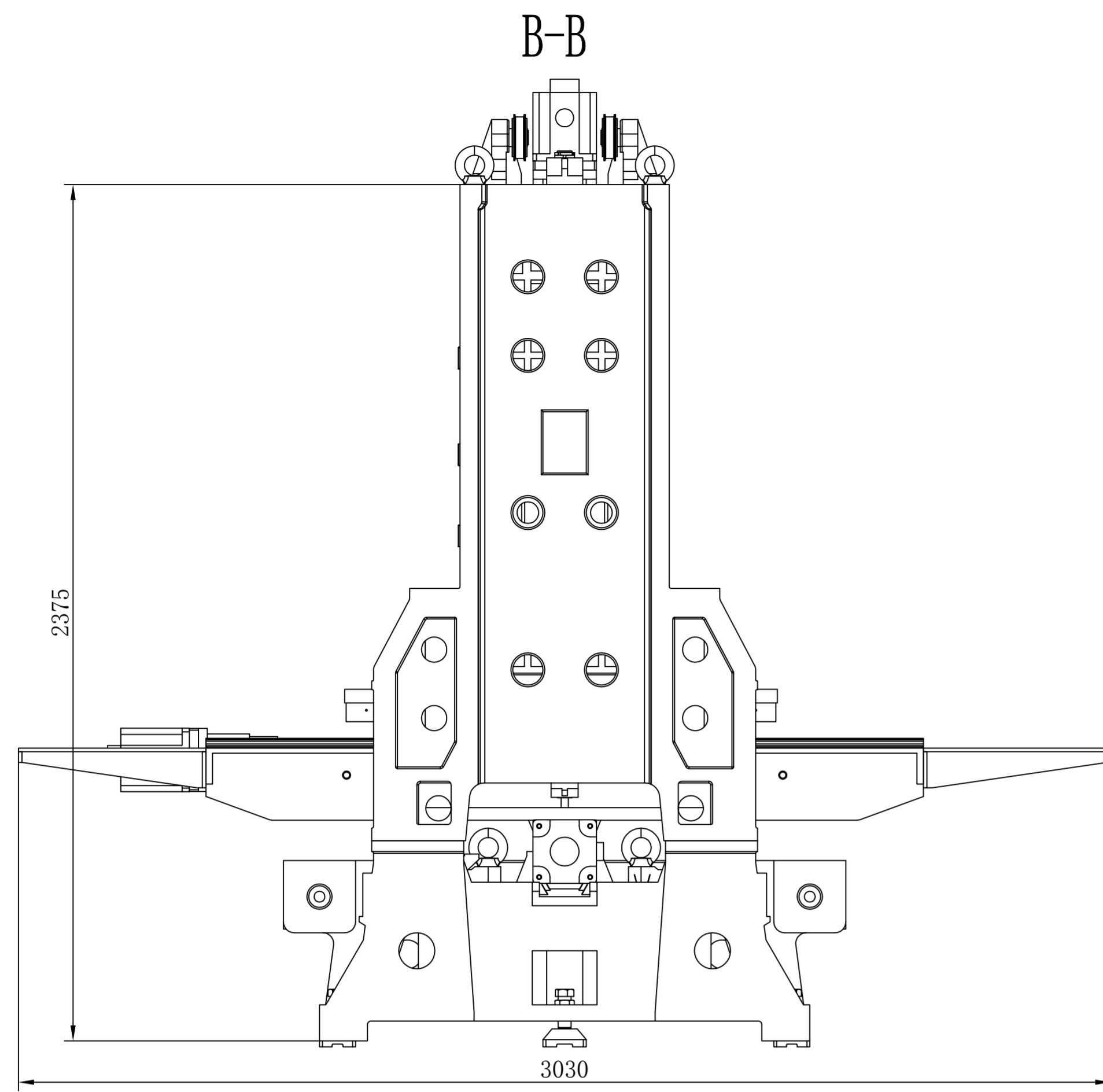


Y-direction stroke :600mm  
 X-direction stroke :110mm  
 Z-direction stroke :600mm

ratio	model	CTMT-LV1160	Machine name	VMC	Part 1 (Group)	Total 1 page
1:12						Page 1
design						
proofread			Sichuan Chentian		remarks	HIWIN lead rail
product design			machine tool			Heightening pad
review			manufacturing Co.,LTD			height 100mm
Process review						
audit			division name	bare engine outside view	figure number	CTMT-LV1160-001A



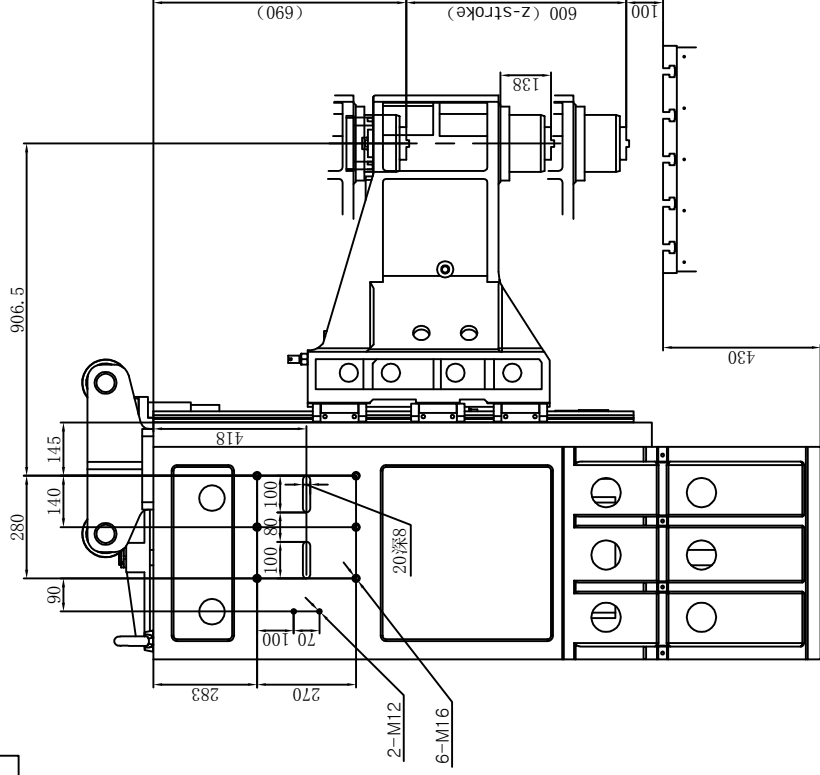
Y-direction stroke :600mm  
 X-direction stroke :1100mm  
 Z-direction stroke :600mm

ratio	model	CTMT-LV1160	Machine name	VMC	Part 1 (Group)	Total 1 page
1:12	design					Page 1
proofread			Sichuan Chentian machine tool manufacturing Co.,LTD	remarks	HIWIN lead rail	
product design						
review						
Process review						
audit			division name	bare engine outside view	figure number	CTMT-LV1160-001

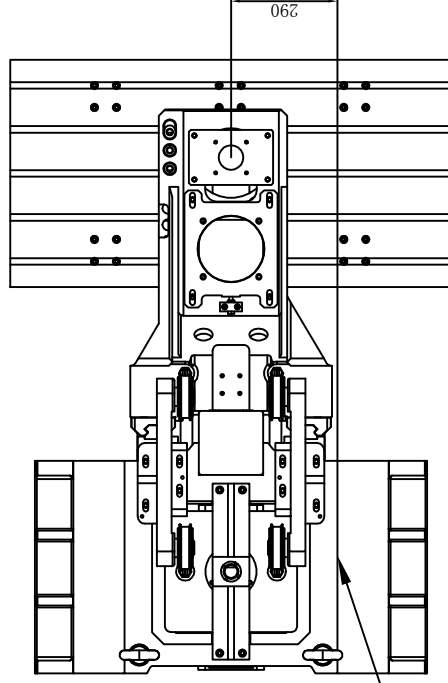




2



A



B

ratio	model	Machine name	VMC	Part (Group)	Total 1 page
1:20	CTMT-LV1160	Sichuan Chentian machine tool manufacturing Co.,LTD			Page 1
design				remarks	
proofread					
product design					
review					
Process review					
audit		division name	tool magazine hole bitmap	figure number	CTMT-LV1160-002