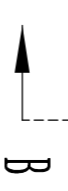
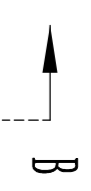
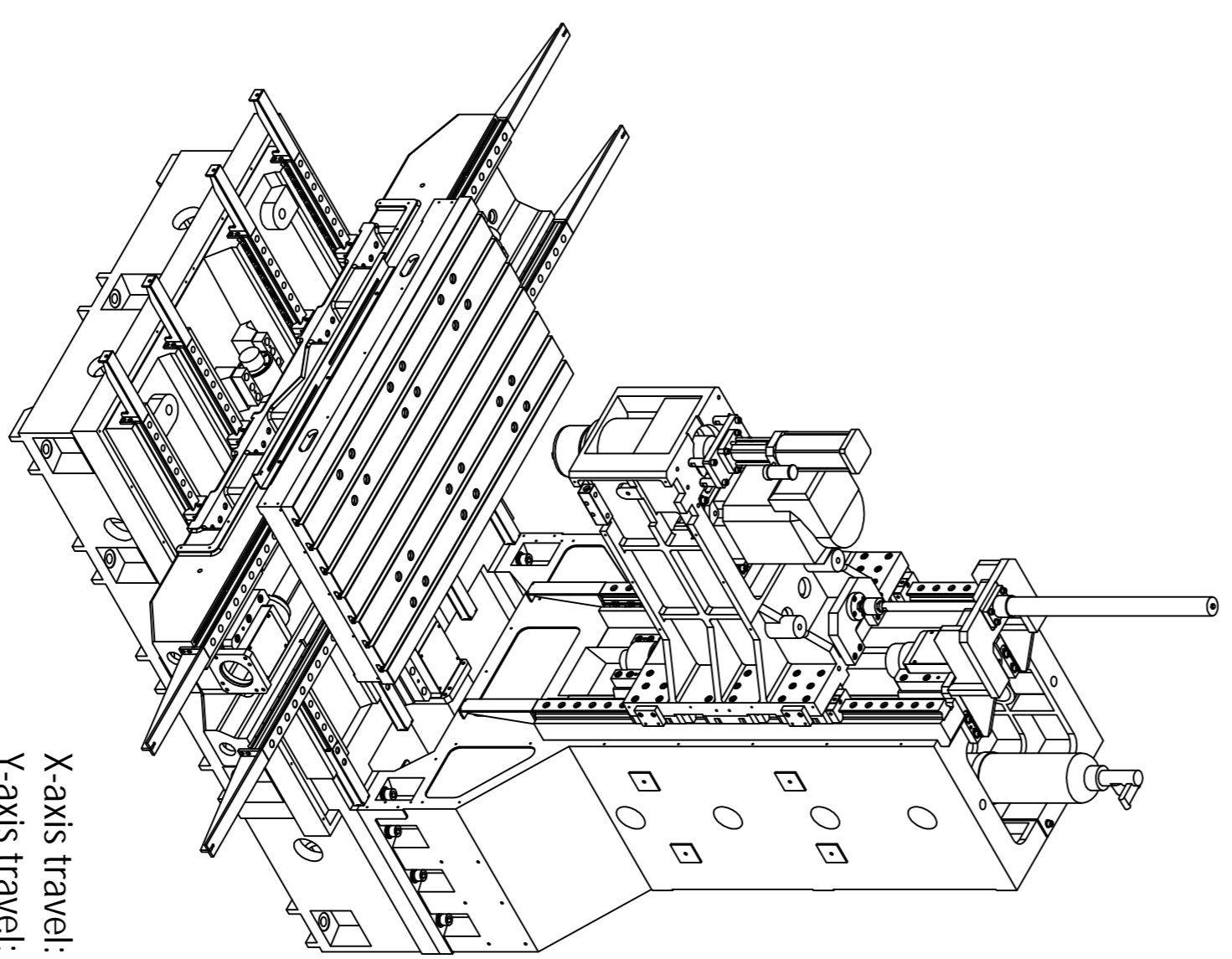
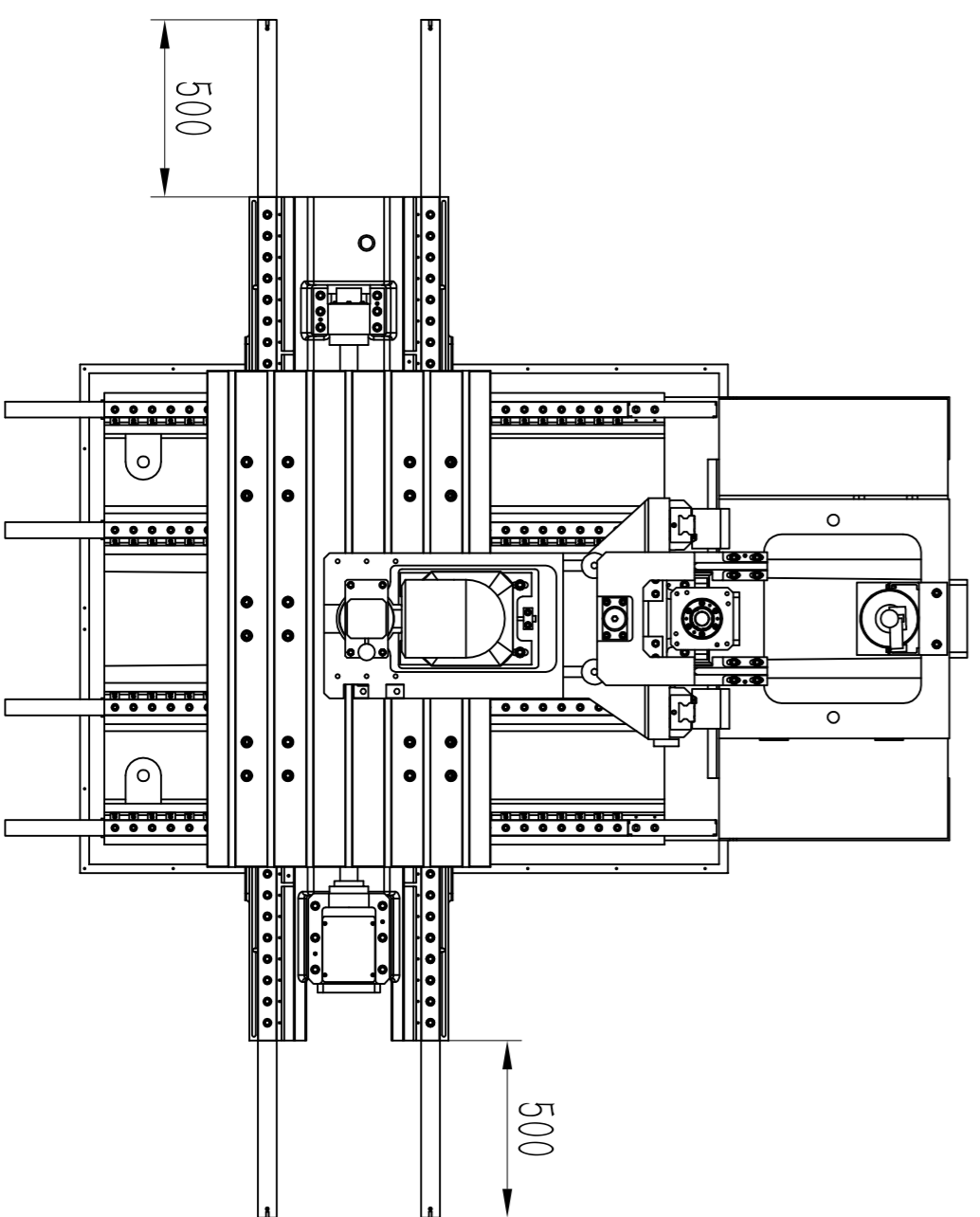
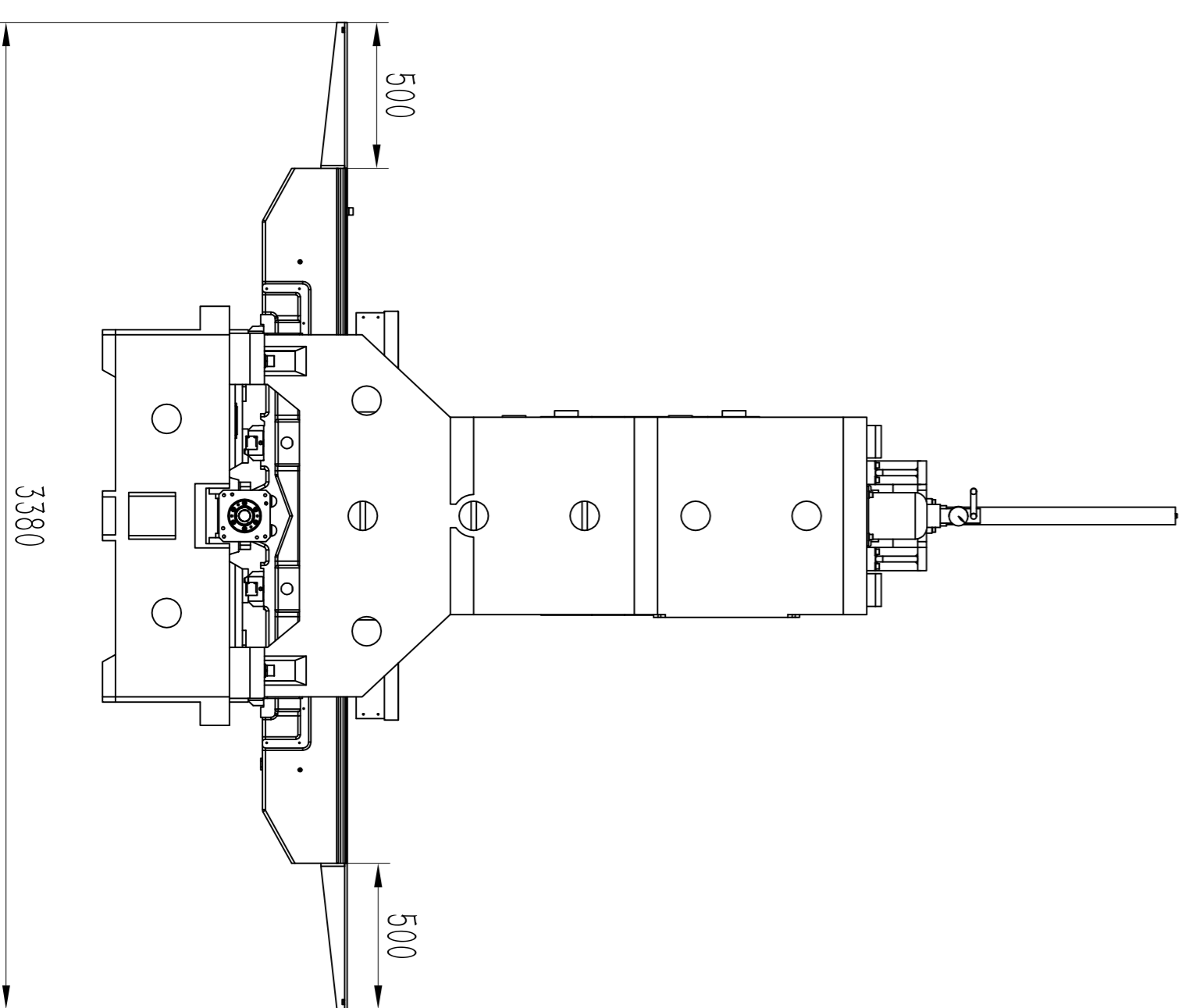


B-B



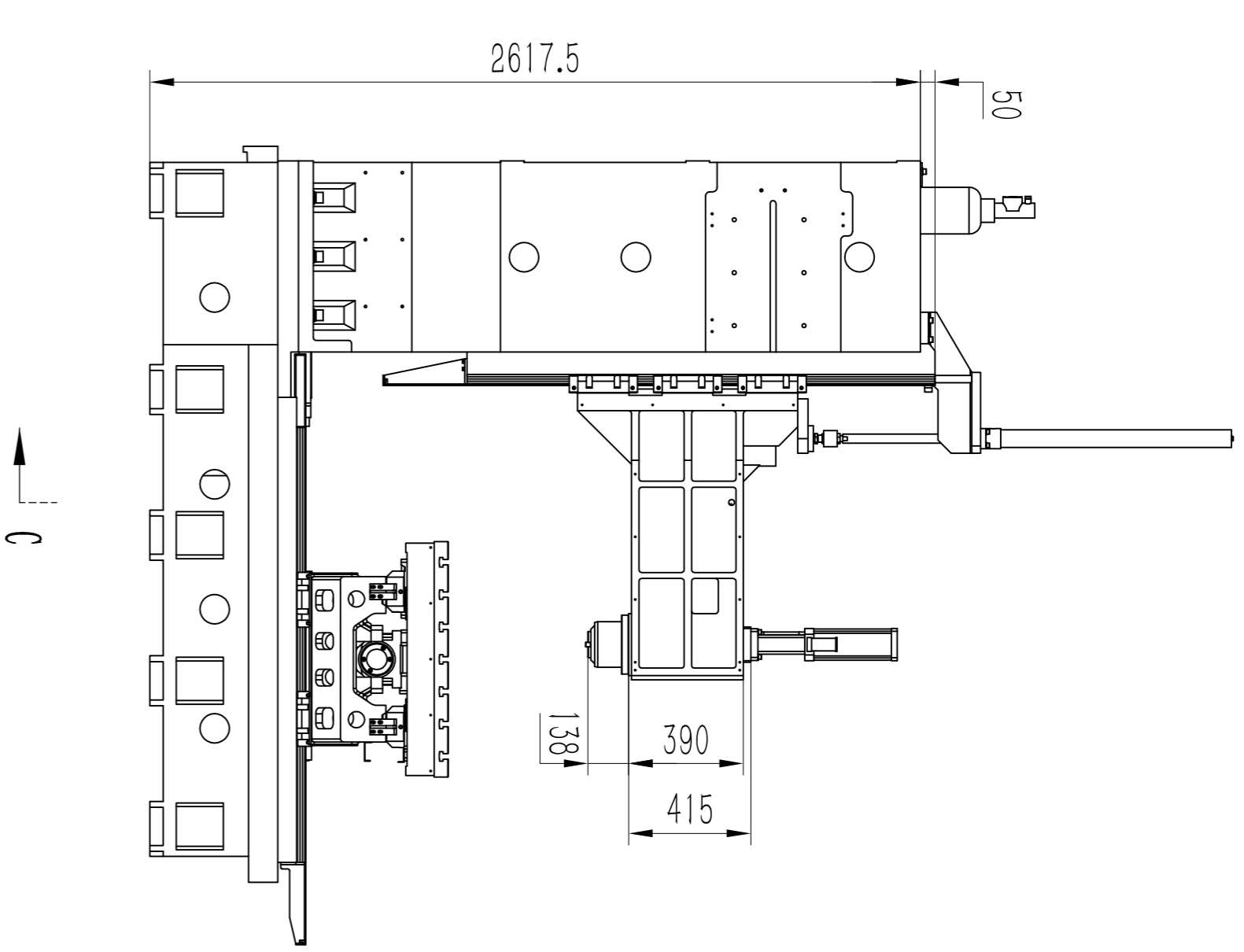
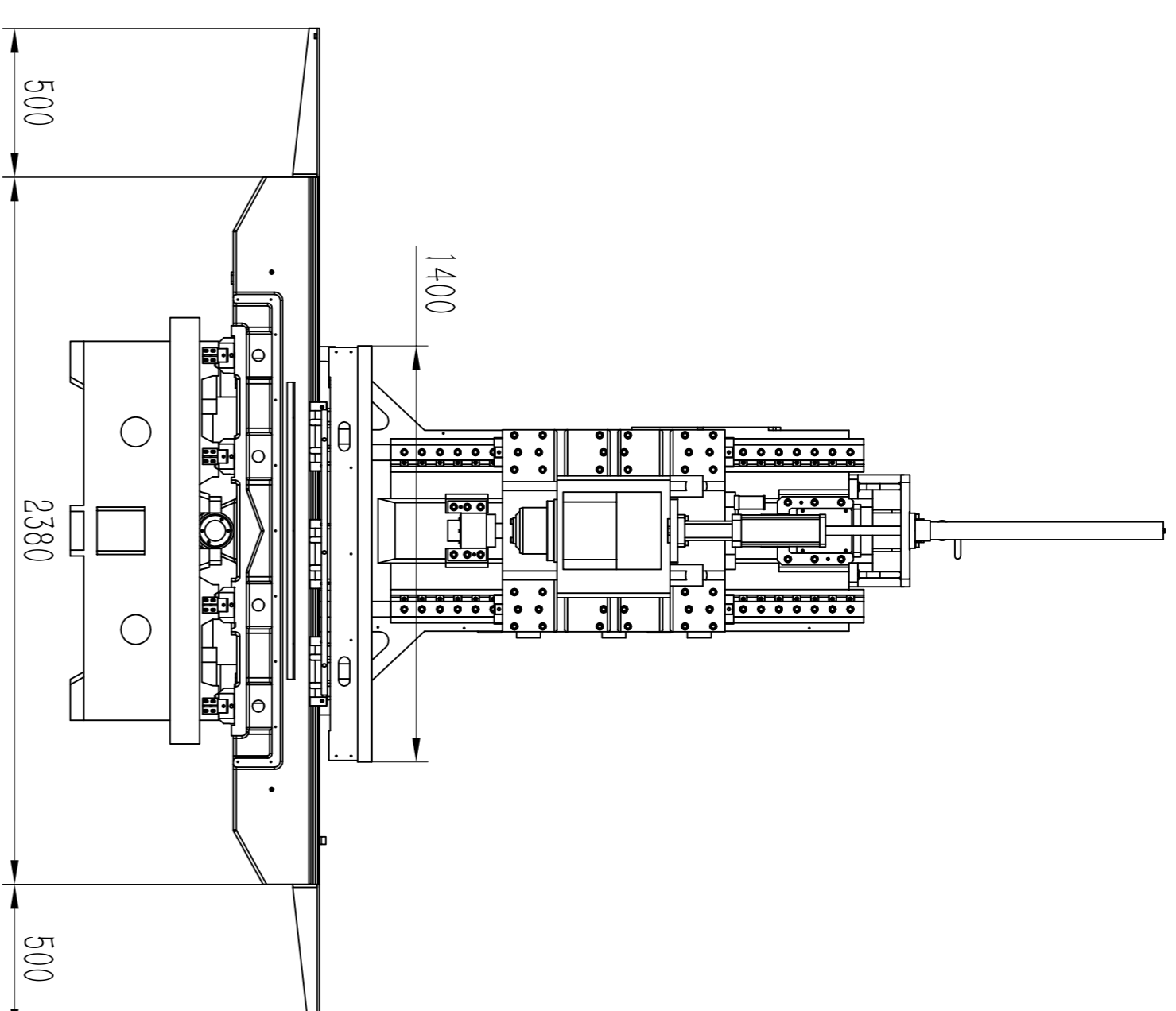
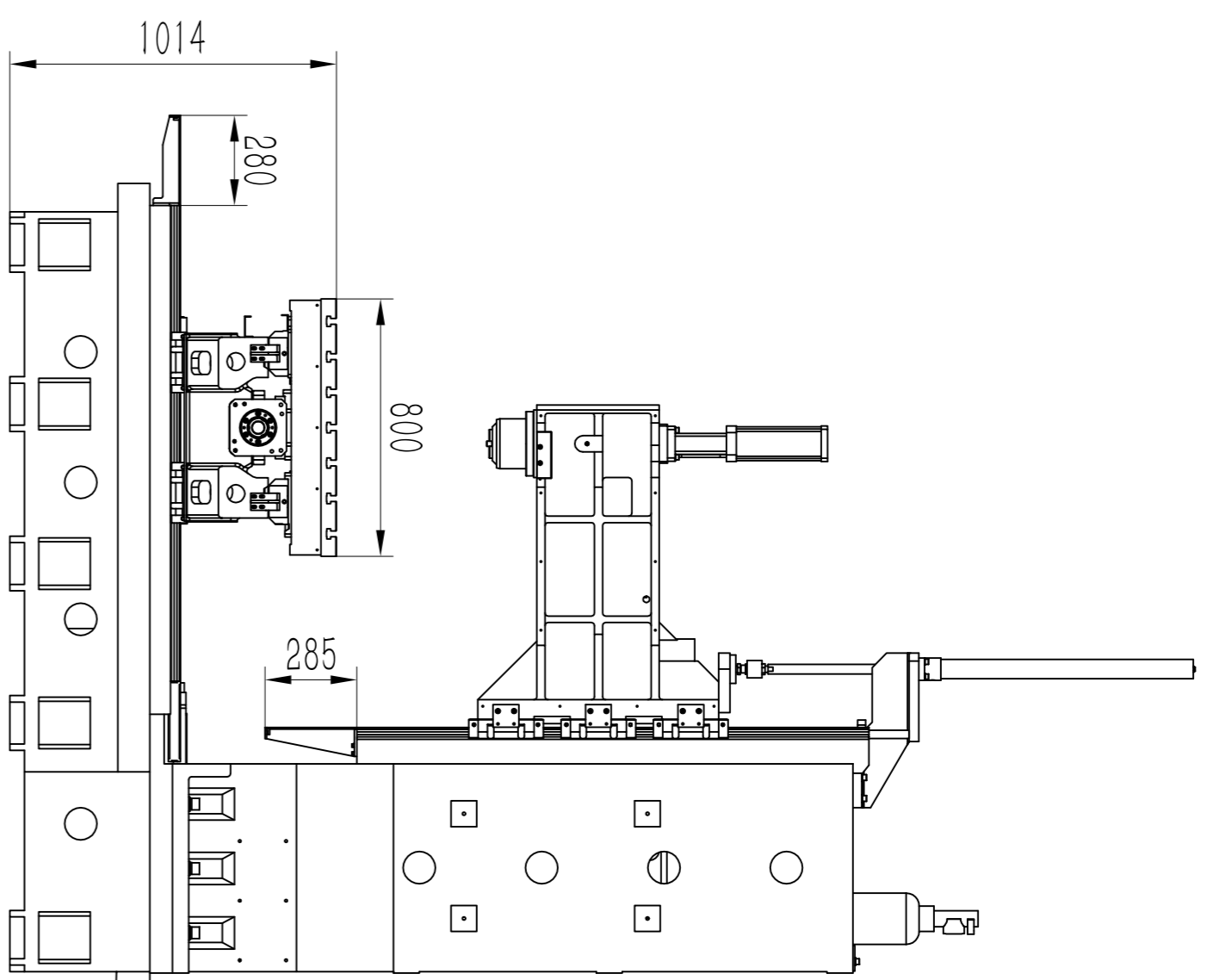
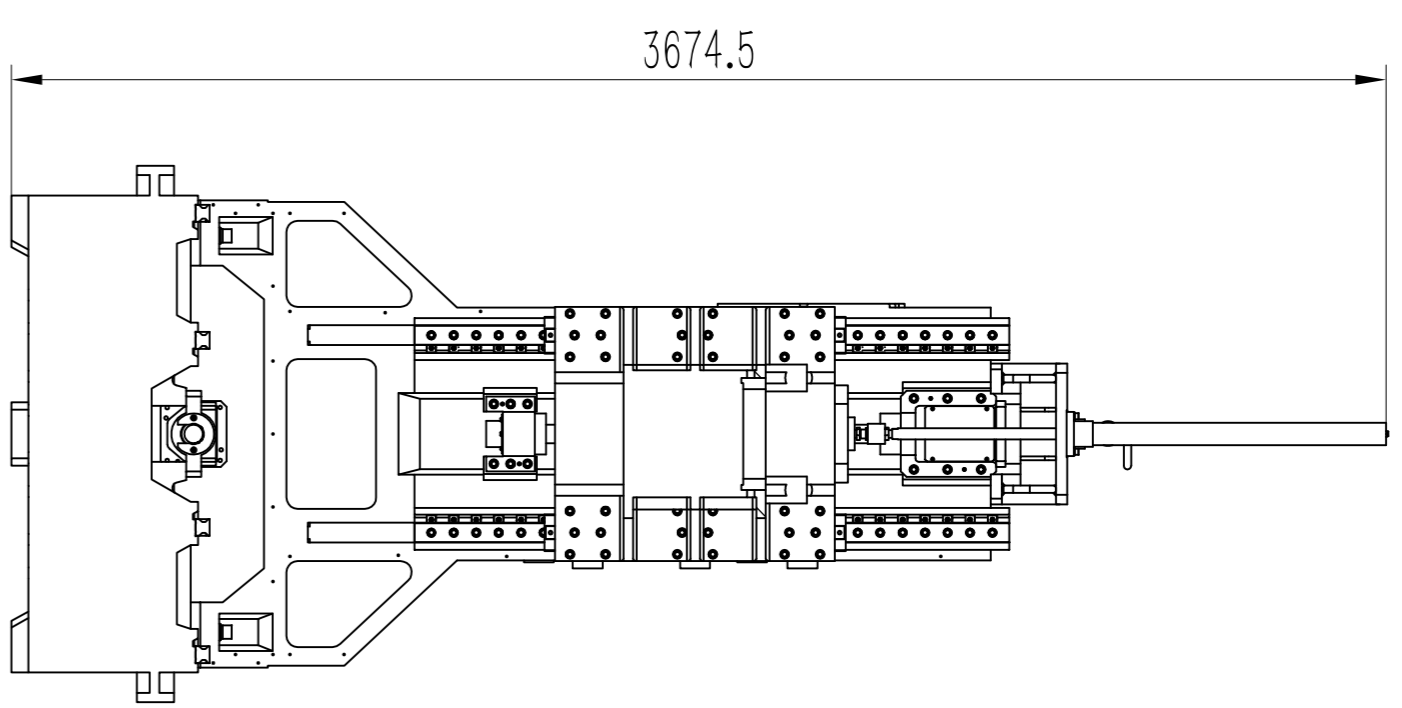
view C



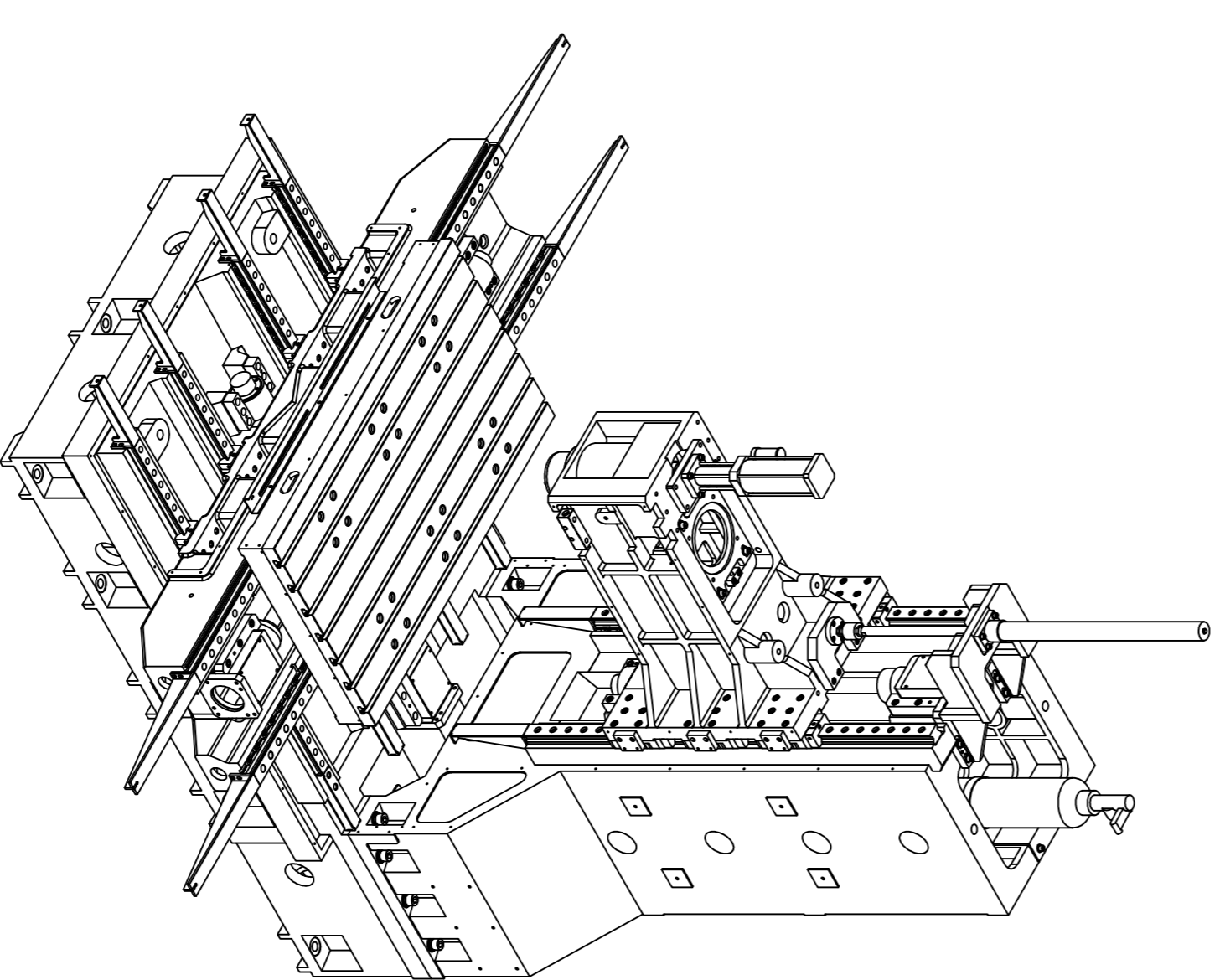
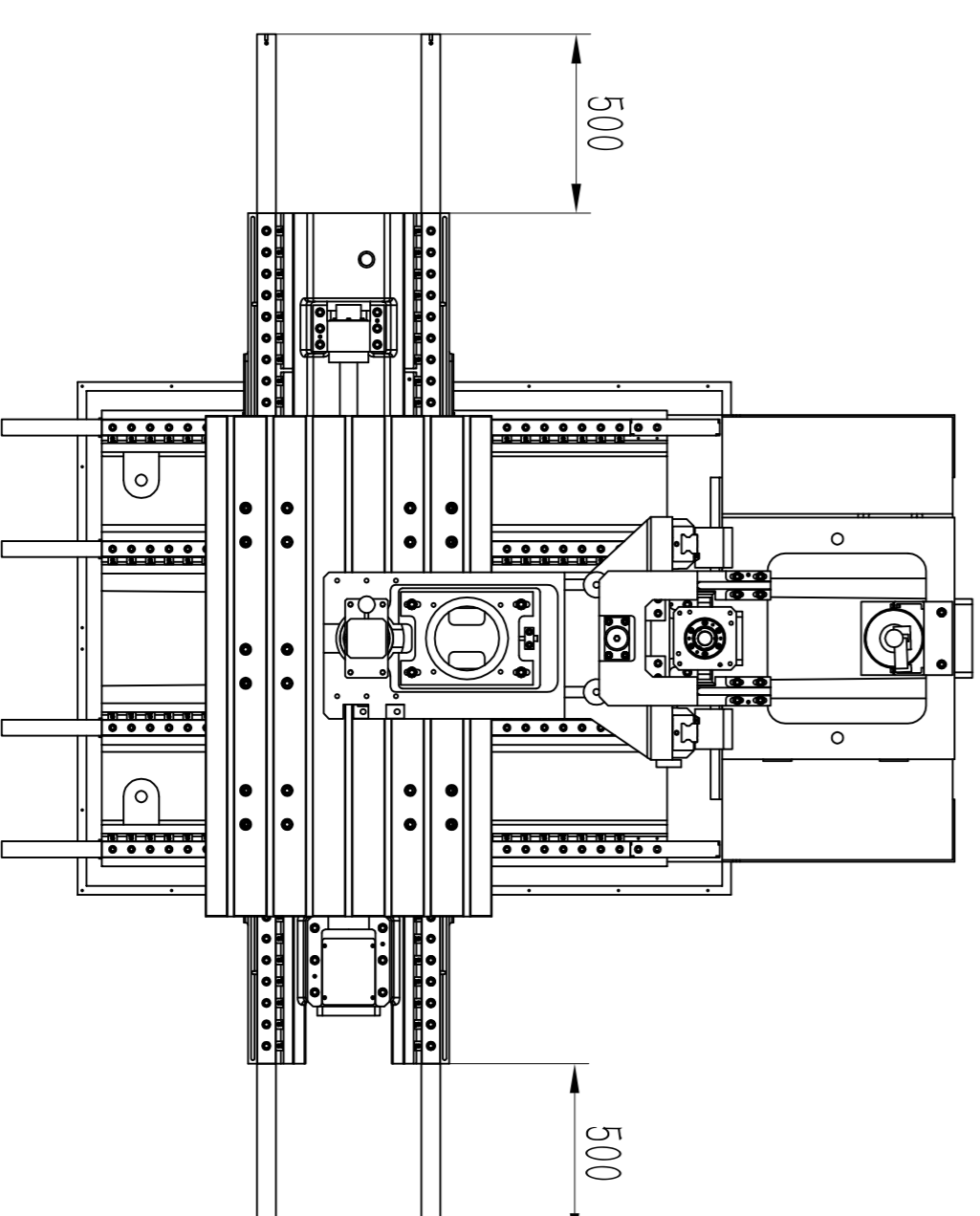
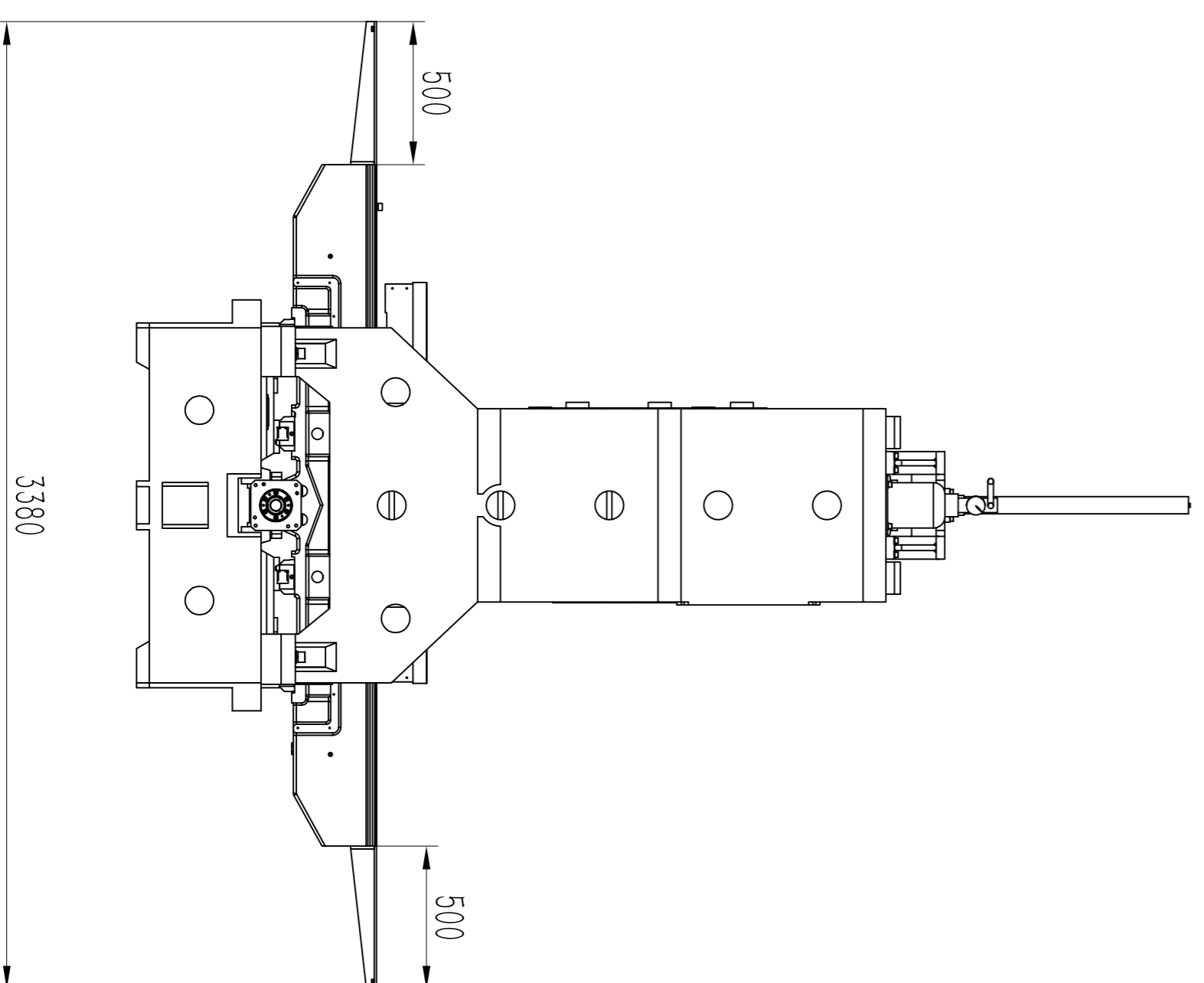
X-axis travel: 1300  
 Y-axis travel: 800  
 Z-axis travel: 700

X, Y, Z three-axis Protective cover bracket (line rail extension block) by the shield manufacturer  
 (Note: Different brands of rail, rail cross-section size is different, need to pay attention to.)

ratio	model	Machine name	VMC	Part (Group)	Total Page
1:20	CTMT-LV1380				Page 1
design					
proofread		Sichuan Chentian			principal axis : BT50-
product design		machine tool			Q155
review		manufacturing Co.,LTD			lead rail : HWIN pin
Process review					roller
audit					
		bare engine			CTMT-LV1380-001
		outside view			



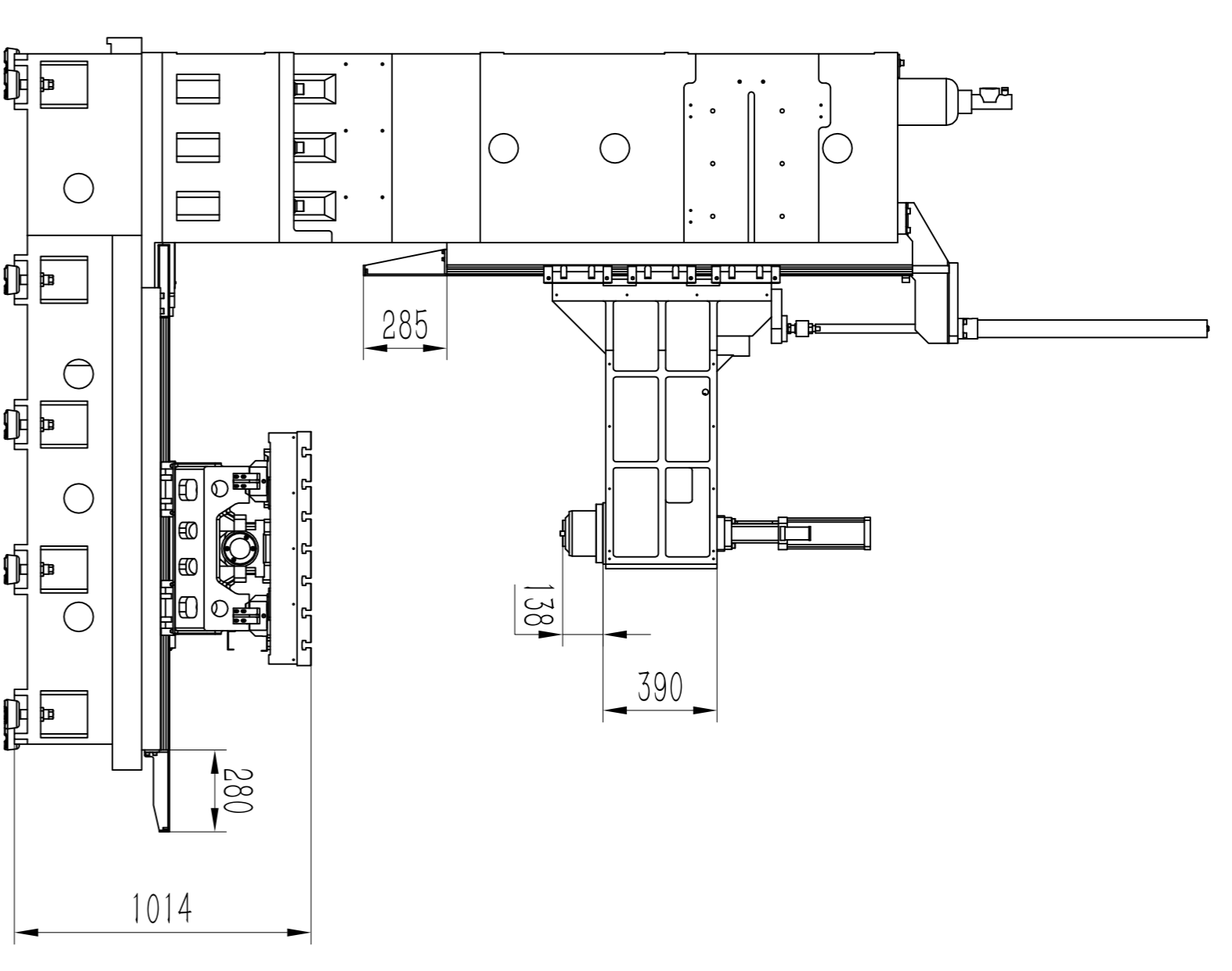
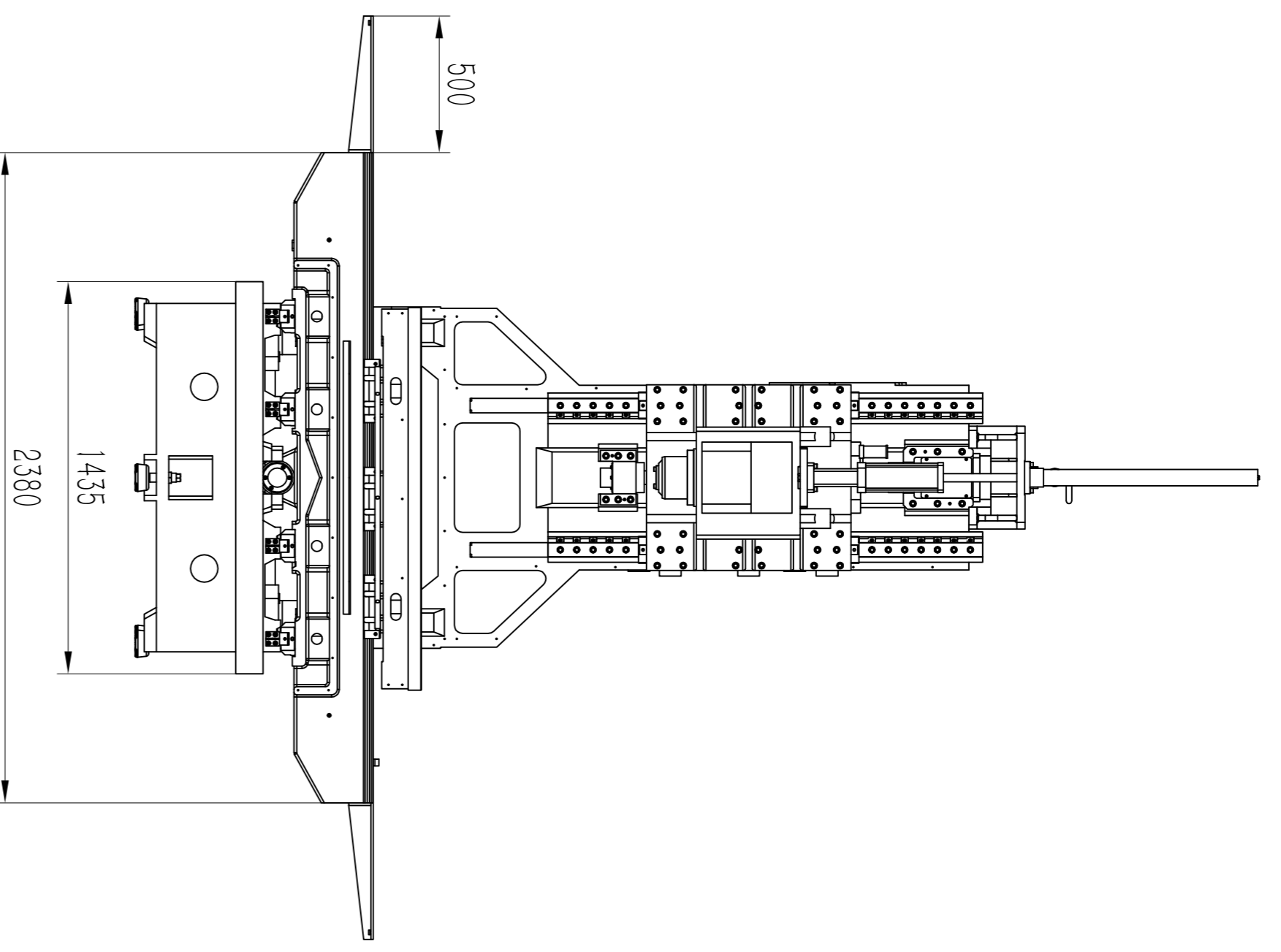
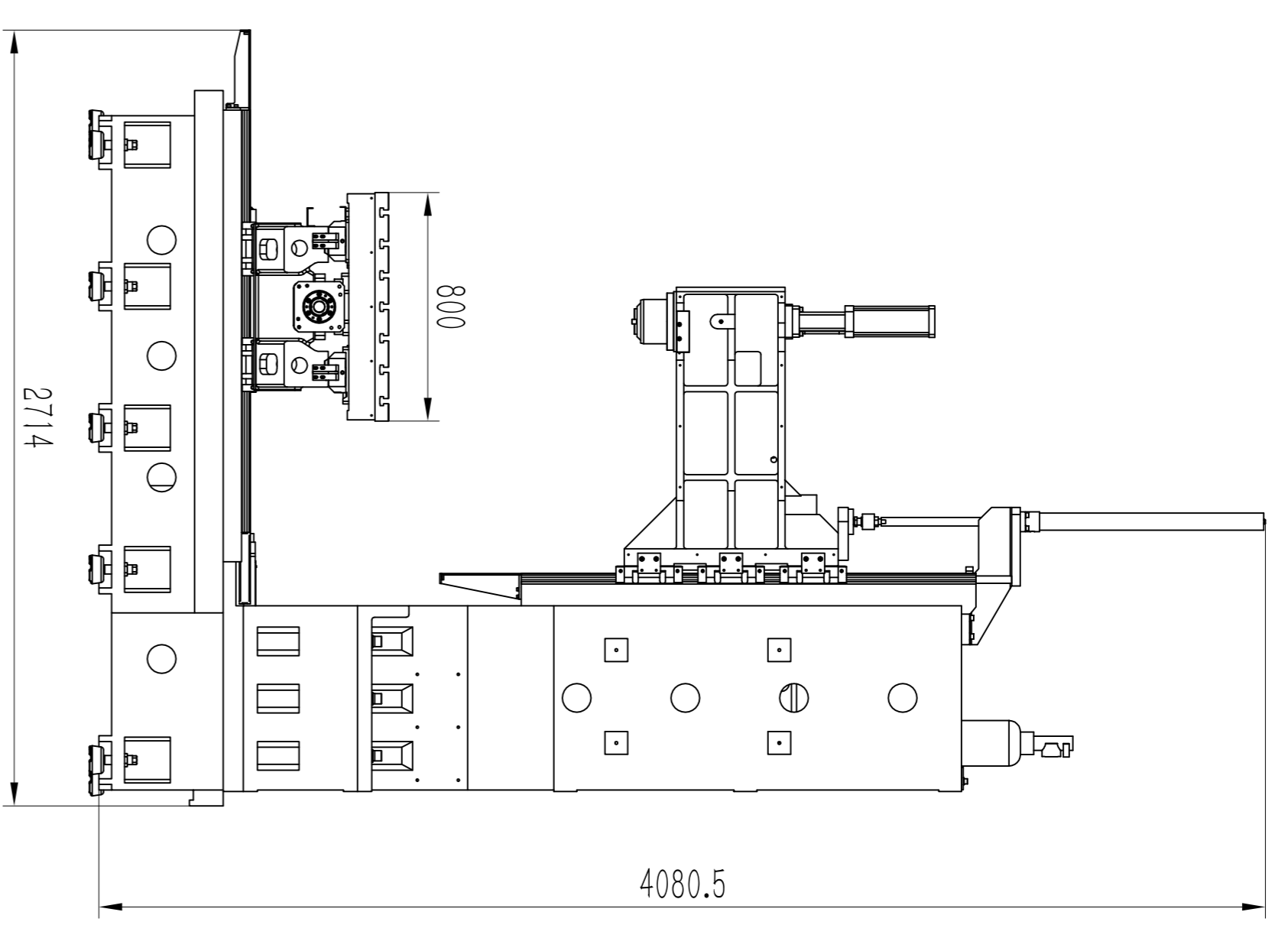
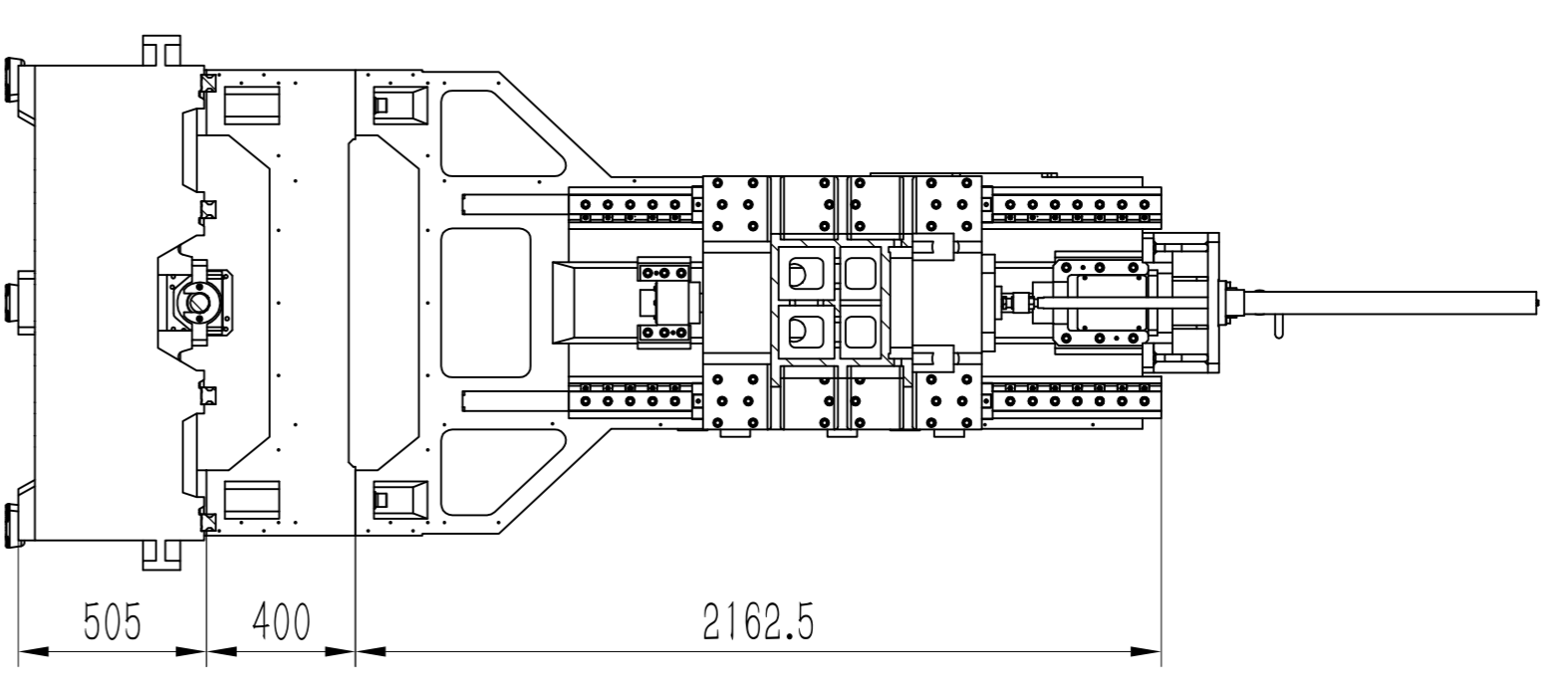
view B



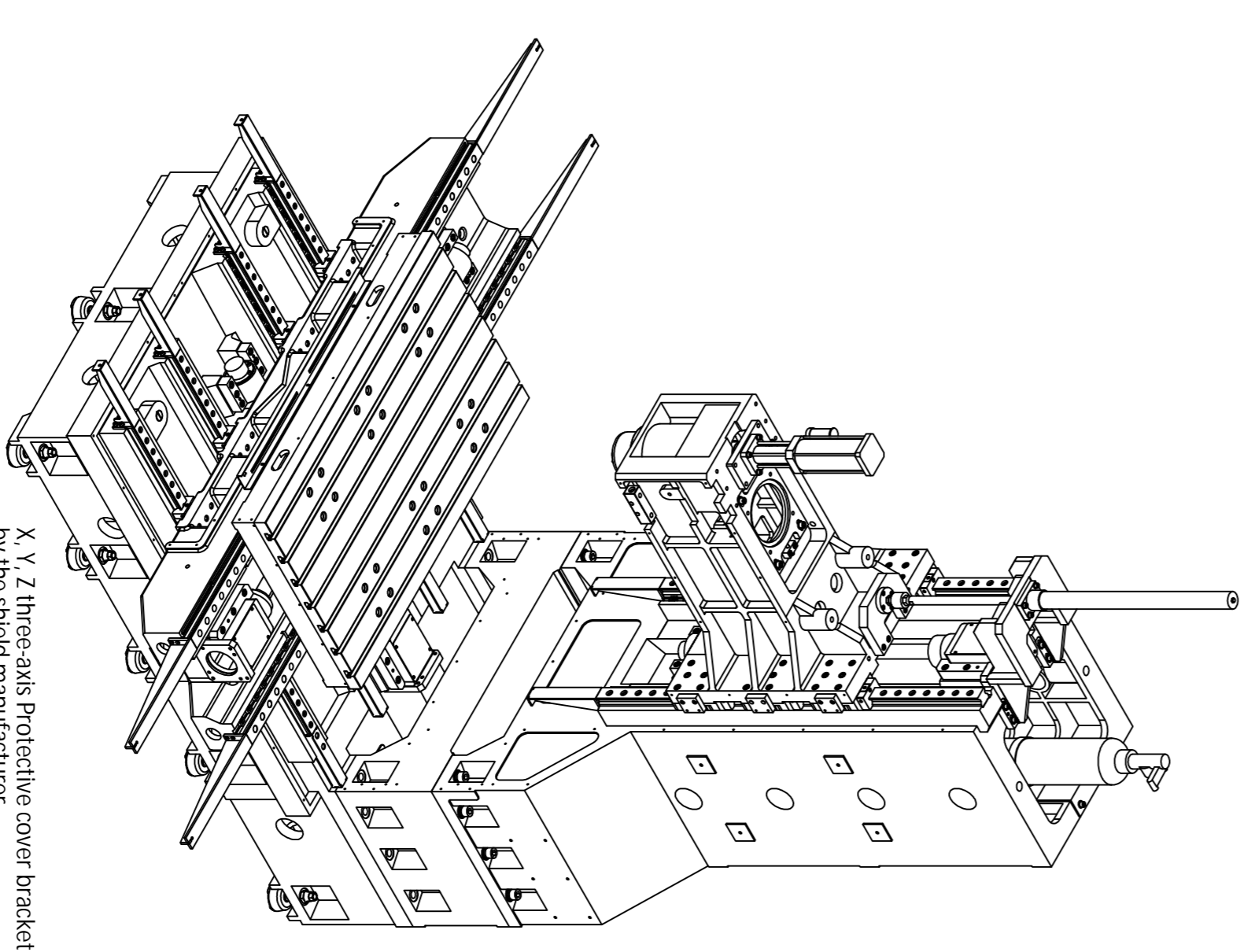
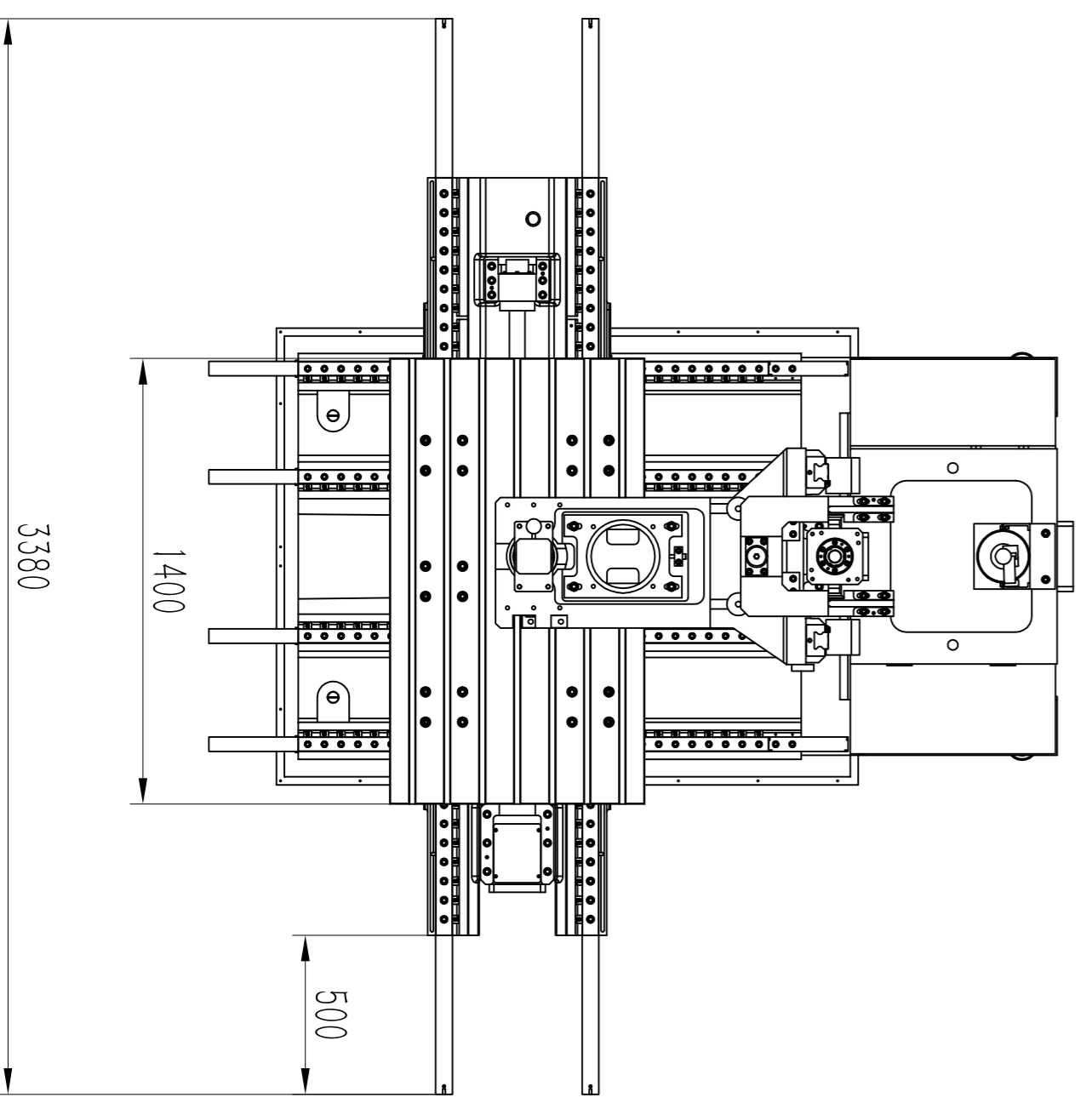
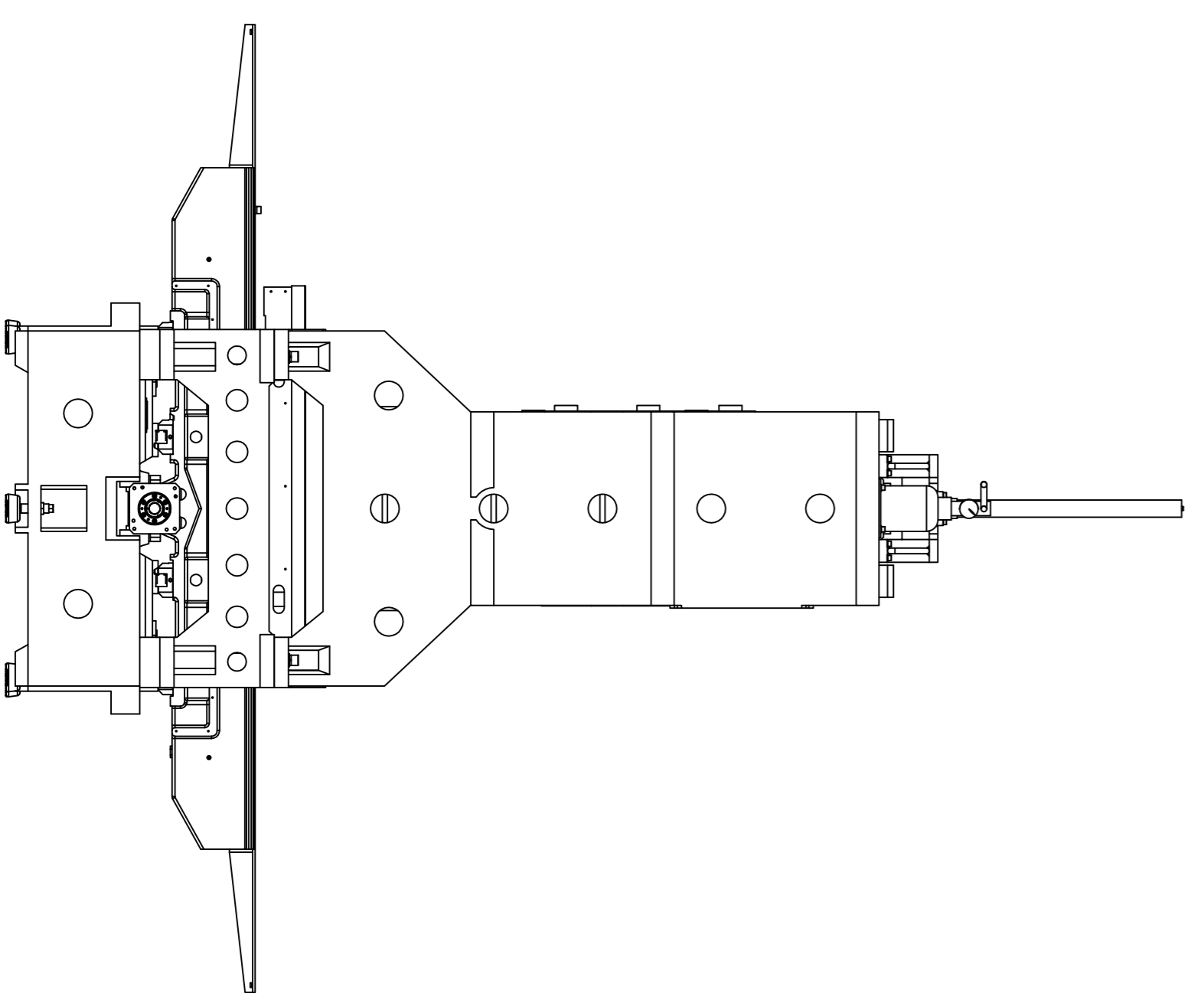
X-axis travel: 1300  
 Y-axis travel: 800  
 Z-axis travel: 700

X, Y, Z three-axis Protective cover bracket (line rail extension block) by the shield manufacturer  
 (Note: Different brands of rail, rail cross-section size is different, need to pay attention to.)

ratio	model	Machine name	VMC	Part (group)	Total Page
1:20	CTMT-LV1380	name			Page 1
design					
proofread		Sichuan Chentian		remarks	principal axis: BT40-
product design		machine tool		lead rail: HIWIN pin	roller
review		manufacturing Co.,LTD			
Process review					
audit					
		division name	engine number	figure number	CTMT-LV1380-001A
		bare outside view			

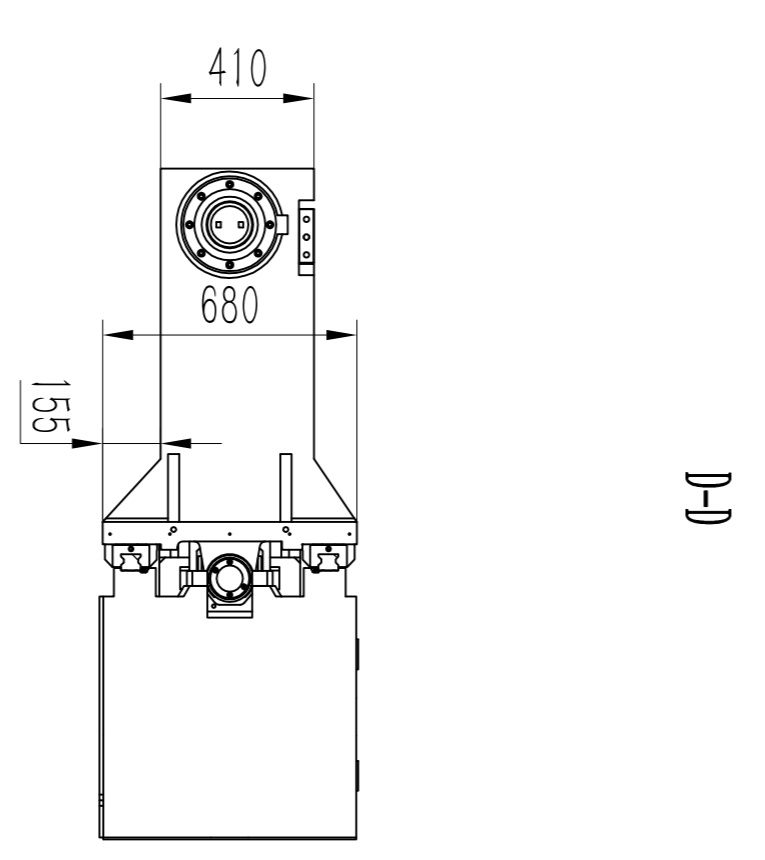
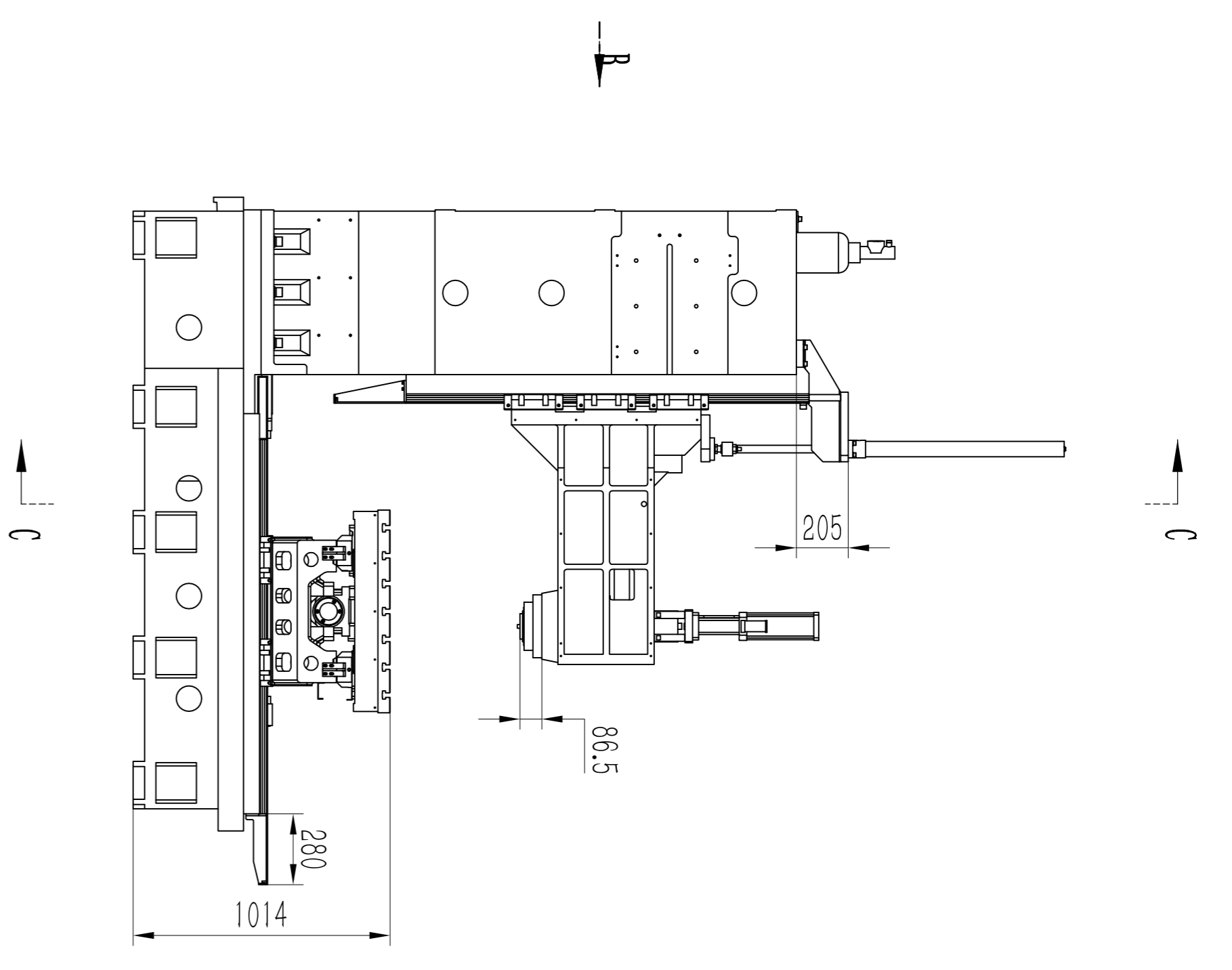
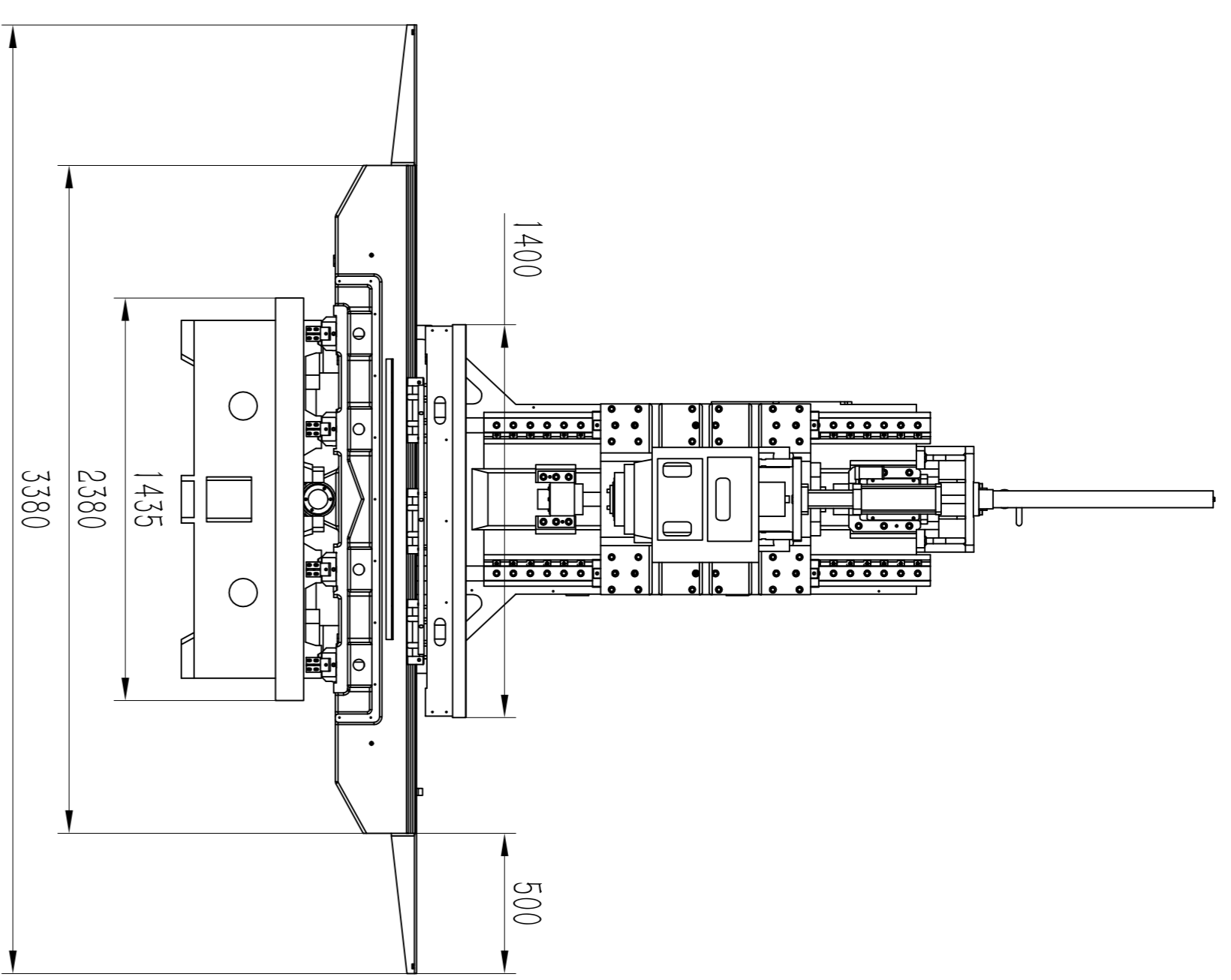
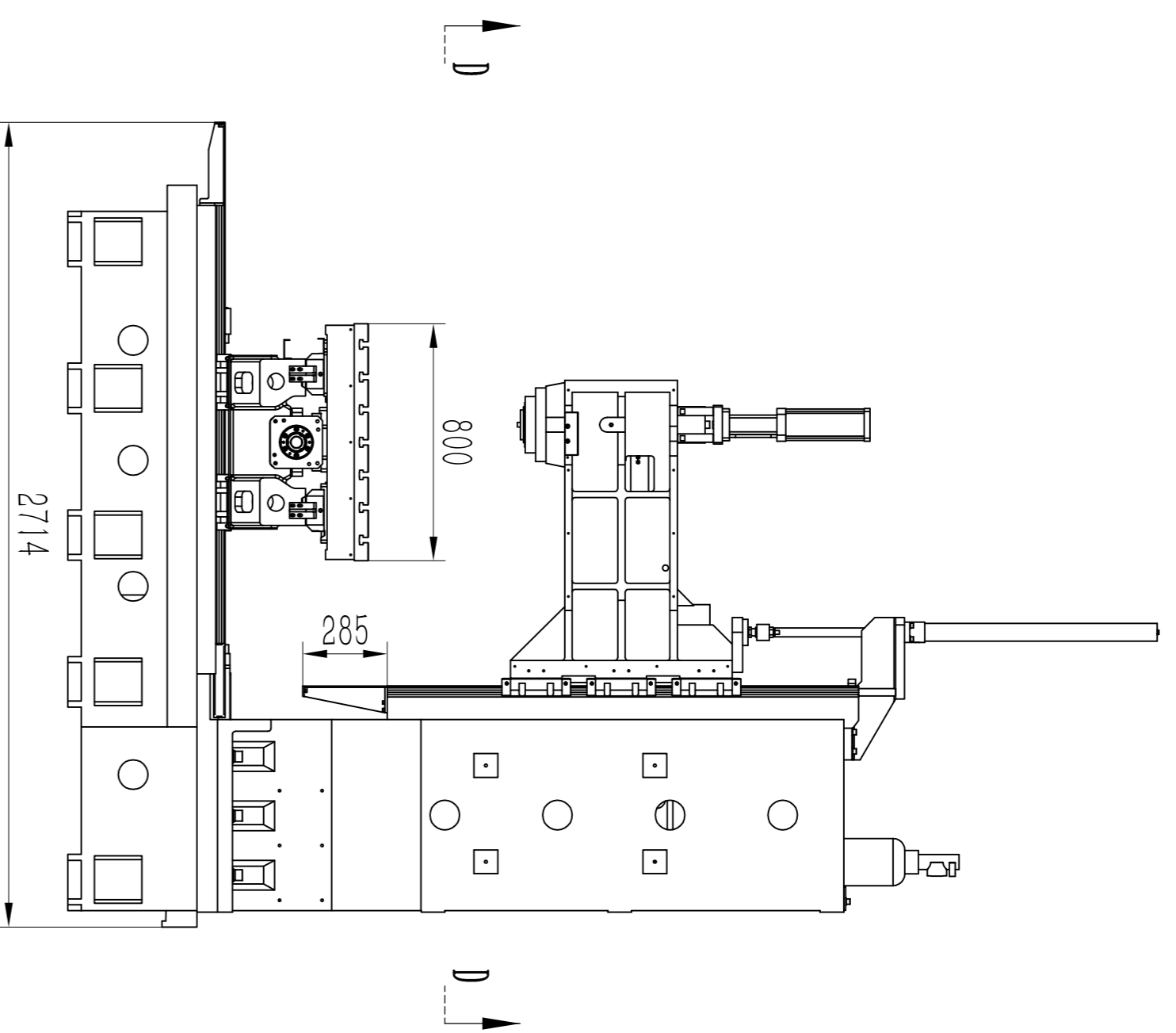
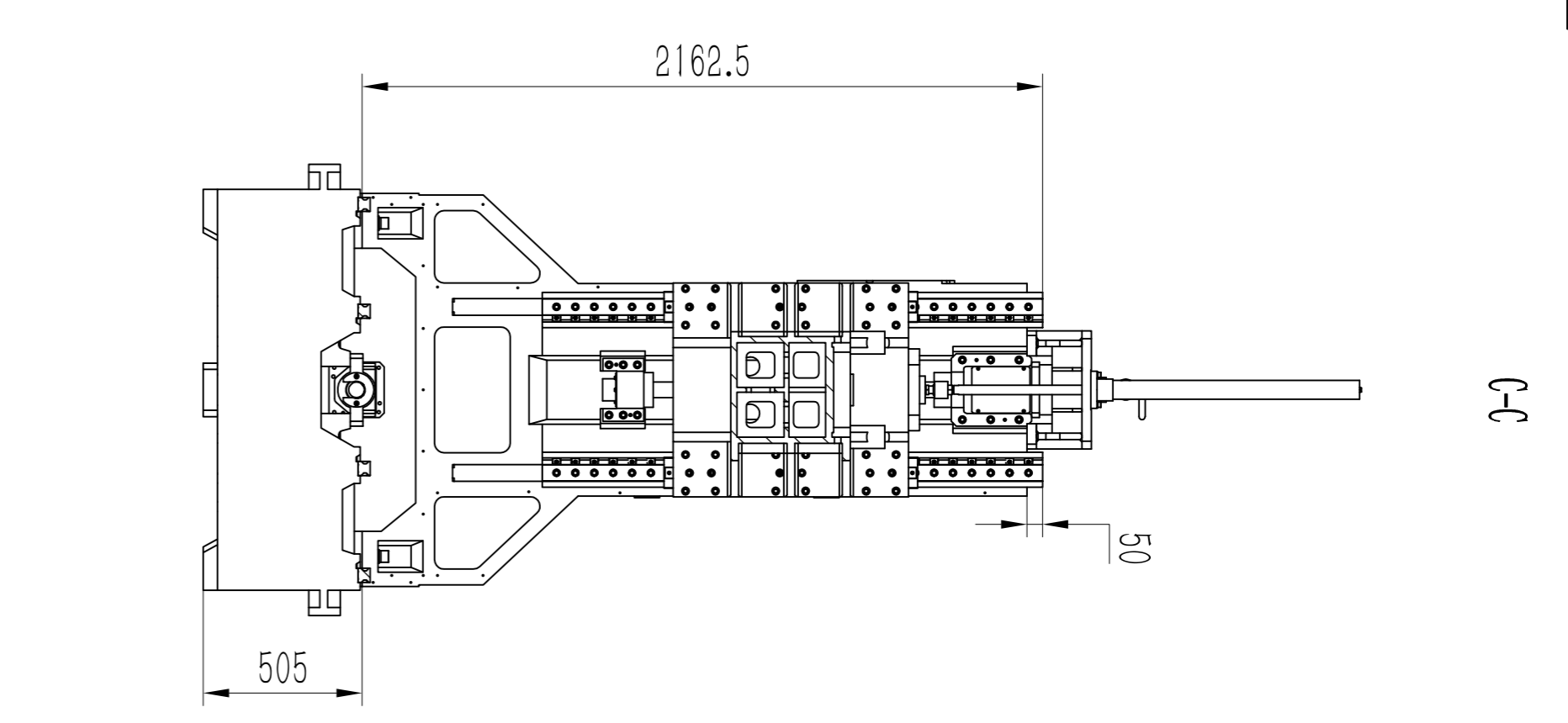


view B

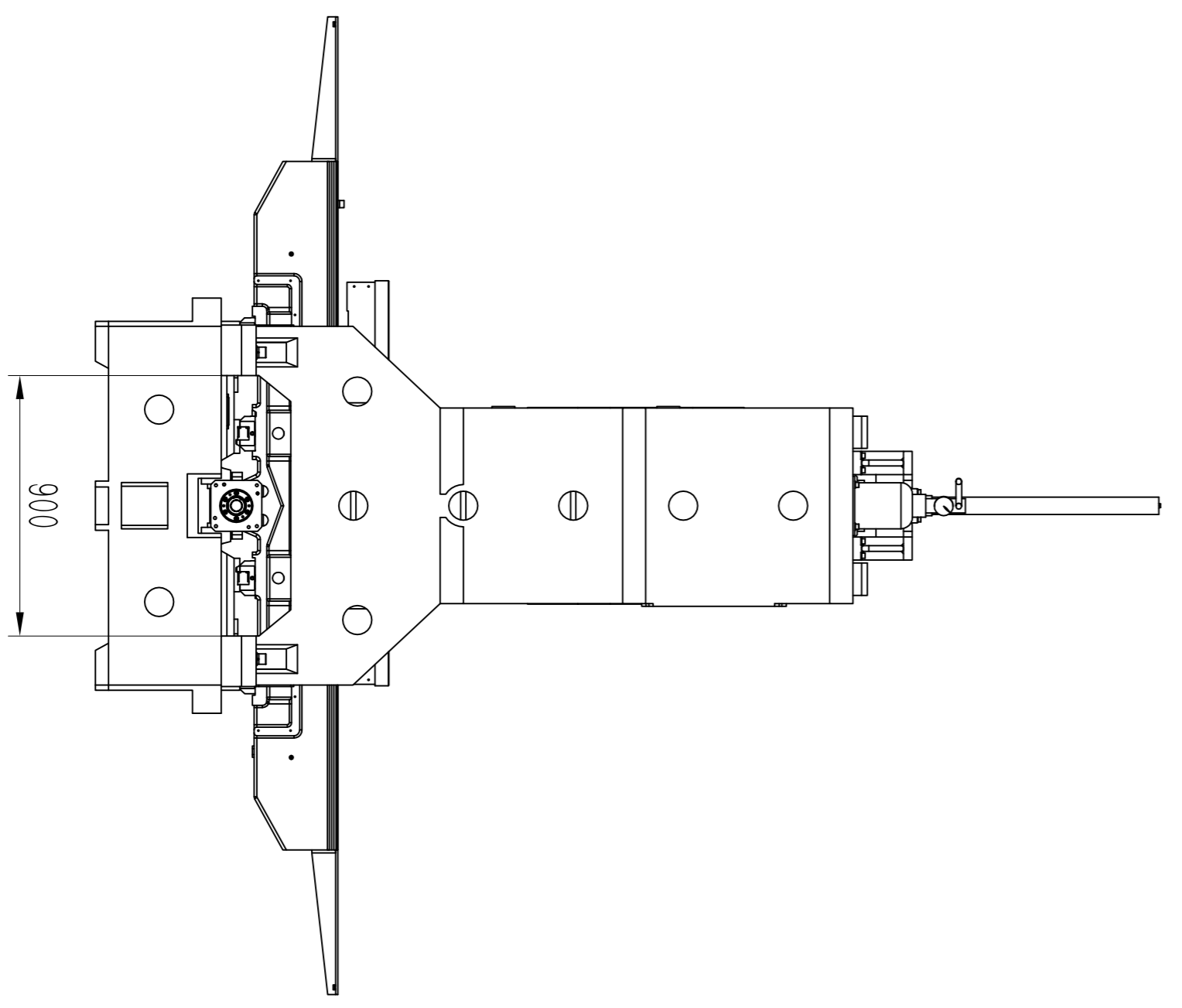


X, Y, Z three-axis protective cover bracket (line rail extension block)  
 by the shield manufacture  
 (Note: Different brands of rail, rail cross section size is different,  
 need to pay attention to.)

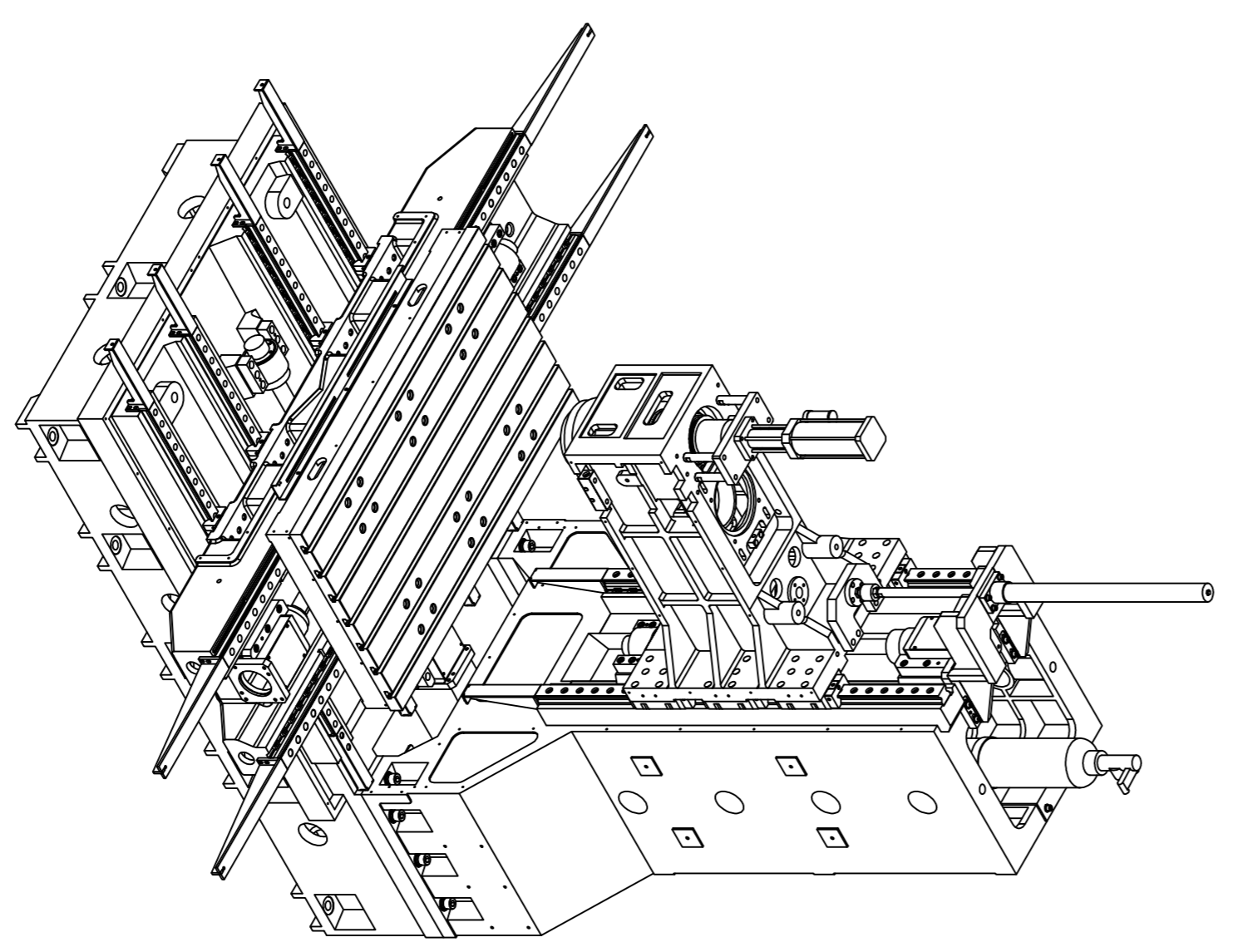
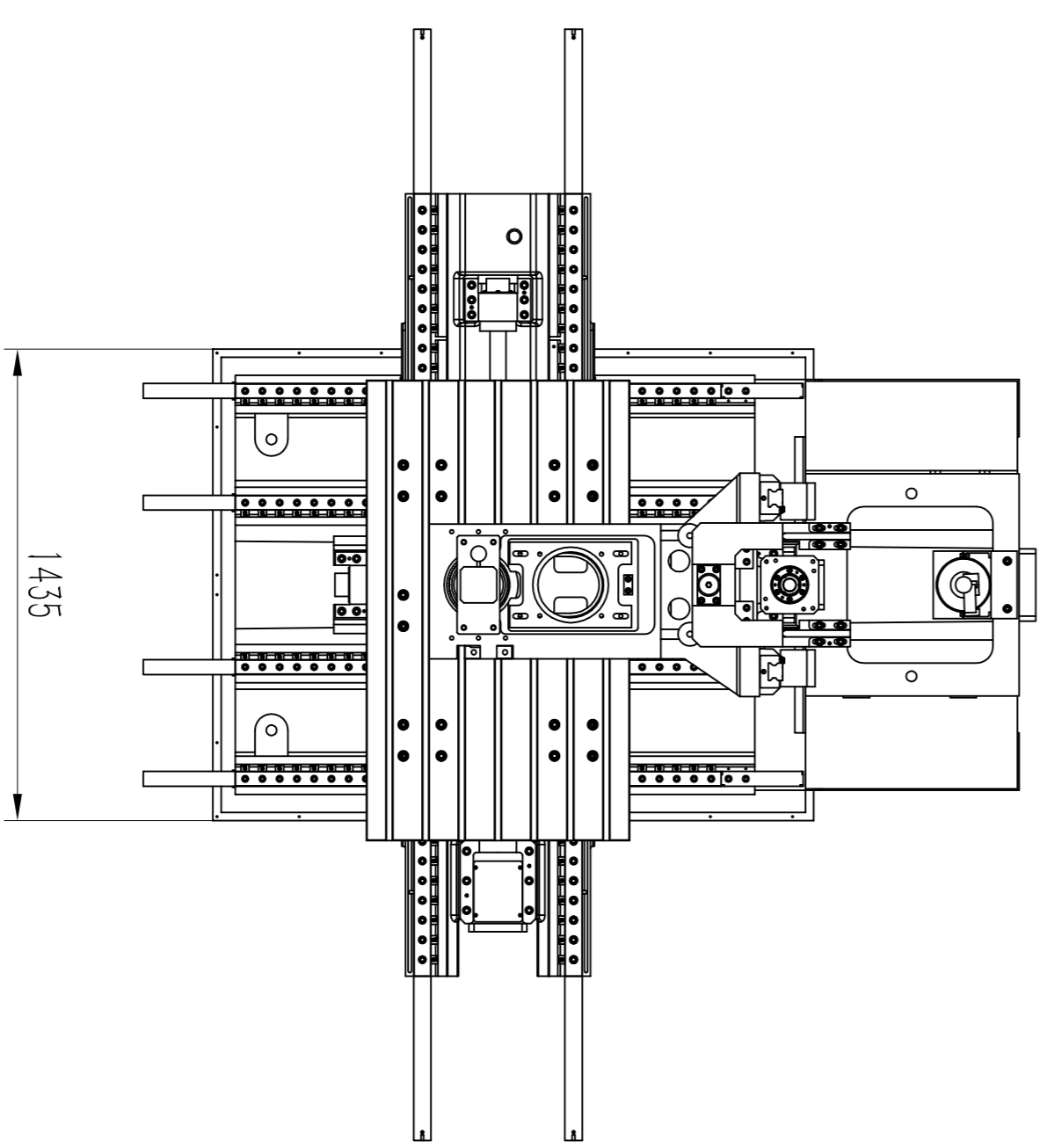
ratio	model	Machine	Part	Total 1 page
1:20	CTMT-LV1380	name	(Group)	Page 1
design				
proofread		Sichuan Chentian	remarks	prindupal axis : BT40-Φ
product design		machine tool		lead rail : HWIN pin
review		manufacturing Co.,LTD		roller
Process review				Column with high pad
audit				400mm
		division	engine	CTMT-LV1380-001B
		name	figure	
		outside view	number	



D-D



view B



X, Y, Z three-axis Protective cover bracket (line rail extension block)  
by the shield manufacturer  
(Note: Different brands of rail, rail cross-section size is different,  
need to pay attention to.)

ratio	model	Machine name	VMC	Part (Group)	Total Page
1:20	CTMT-LV1380				Page 1
design					
proofread		Sichuan Chentian		remarks	principal axis : Albetke
product design		machine tool		lead rail : HWIN pin	1-BRT50.8
review		manufacturing Co.,LTD		roller	
Process review					
audit		division name	bare engine number	figure number	CTMT-LV1380-001C

