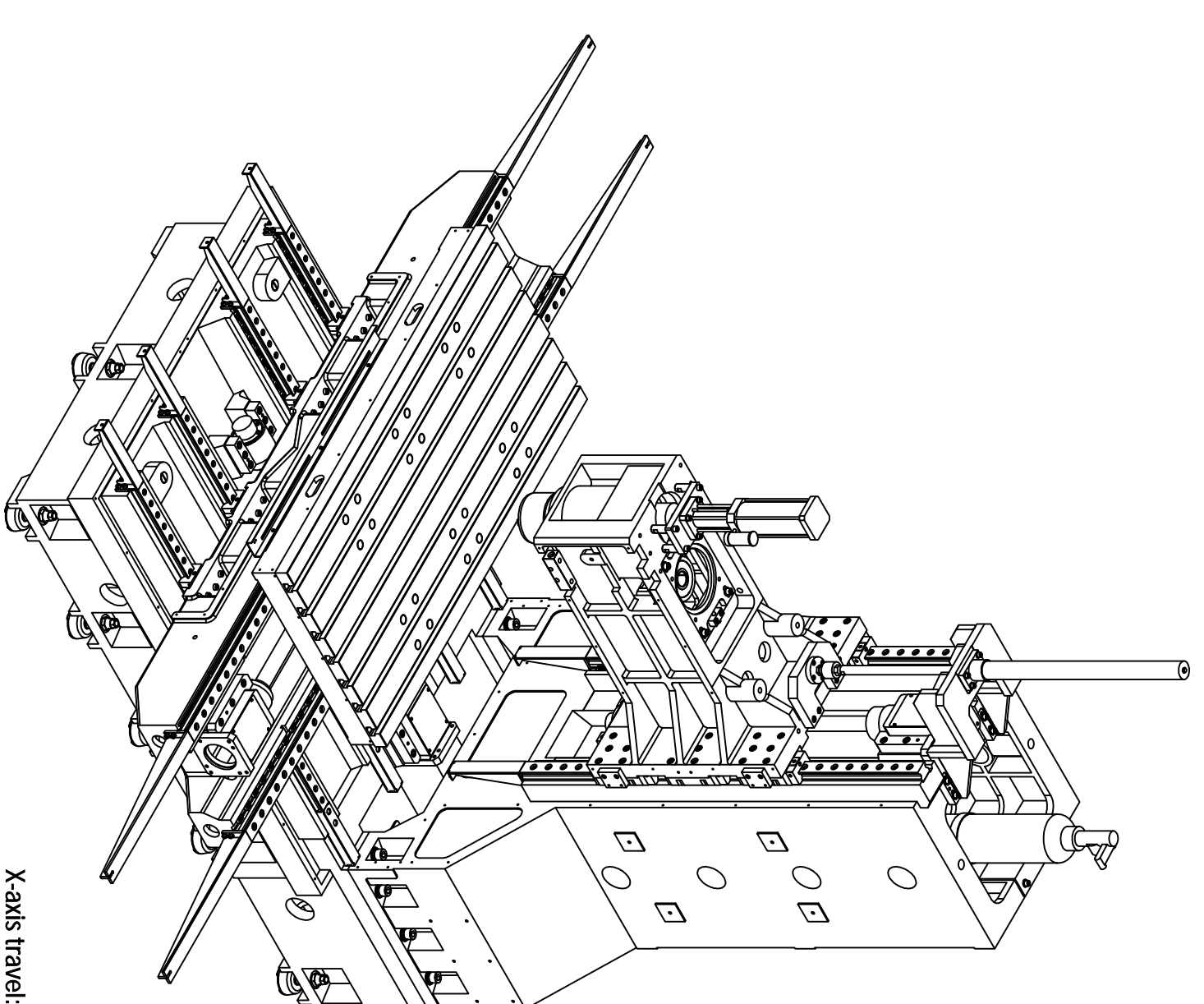
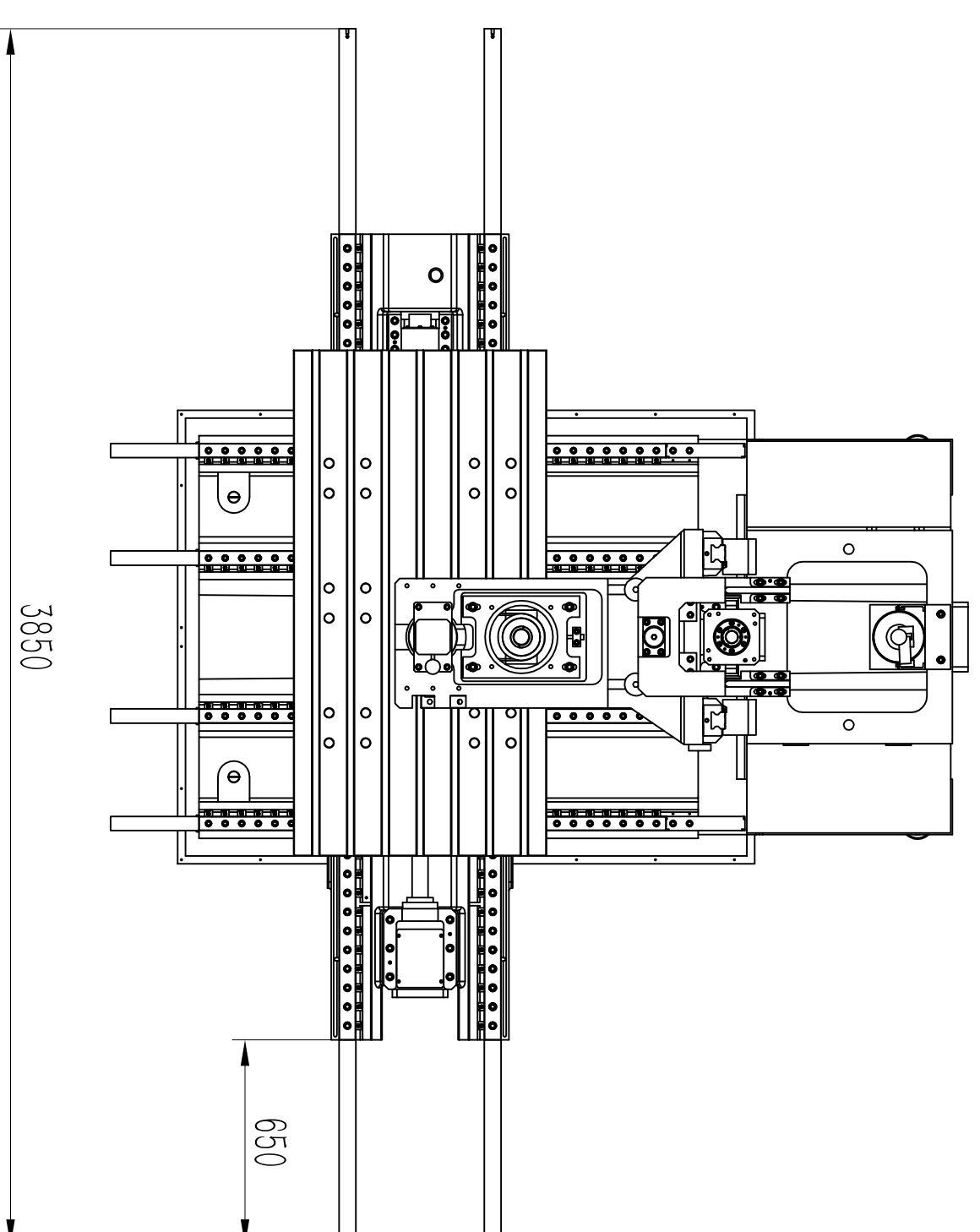
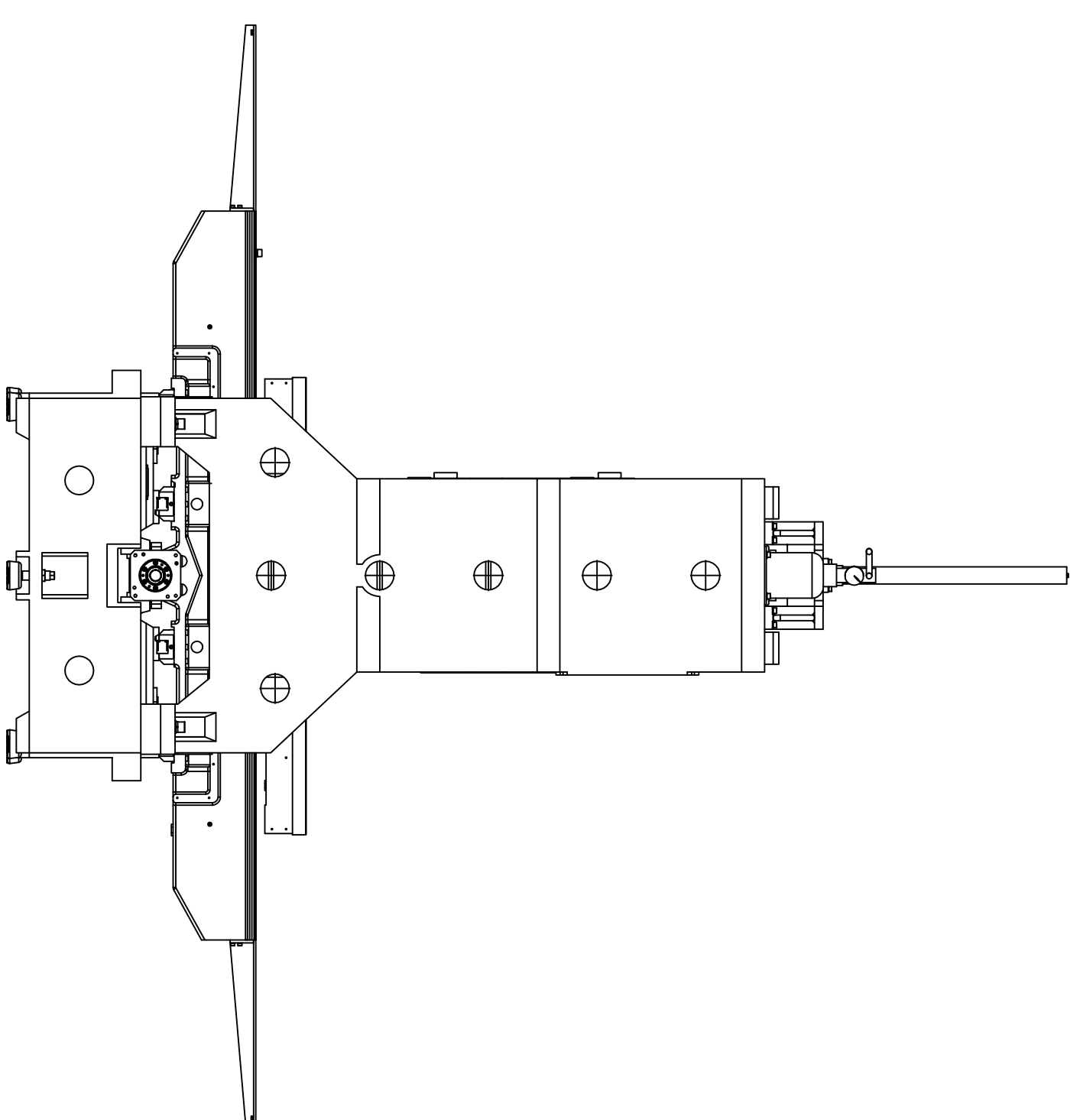


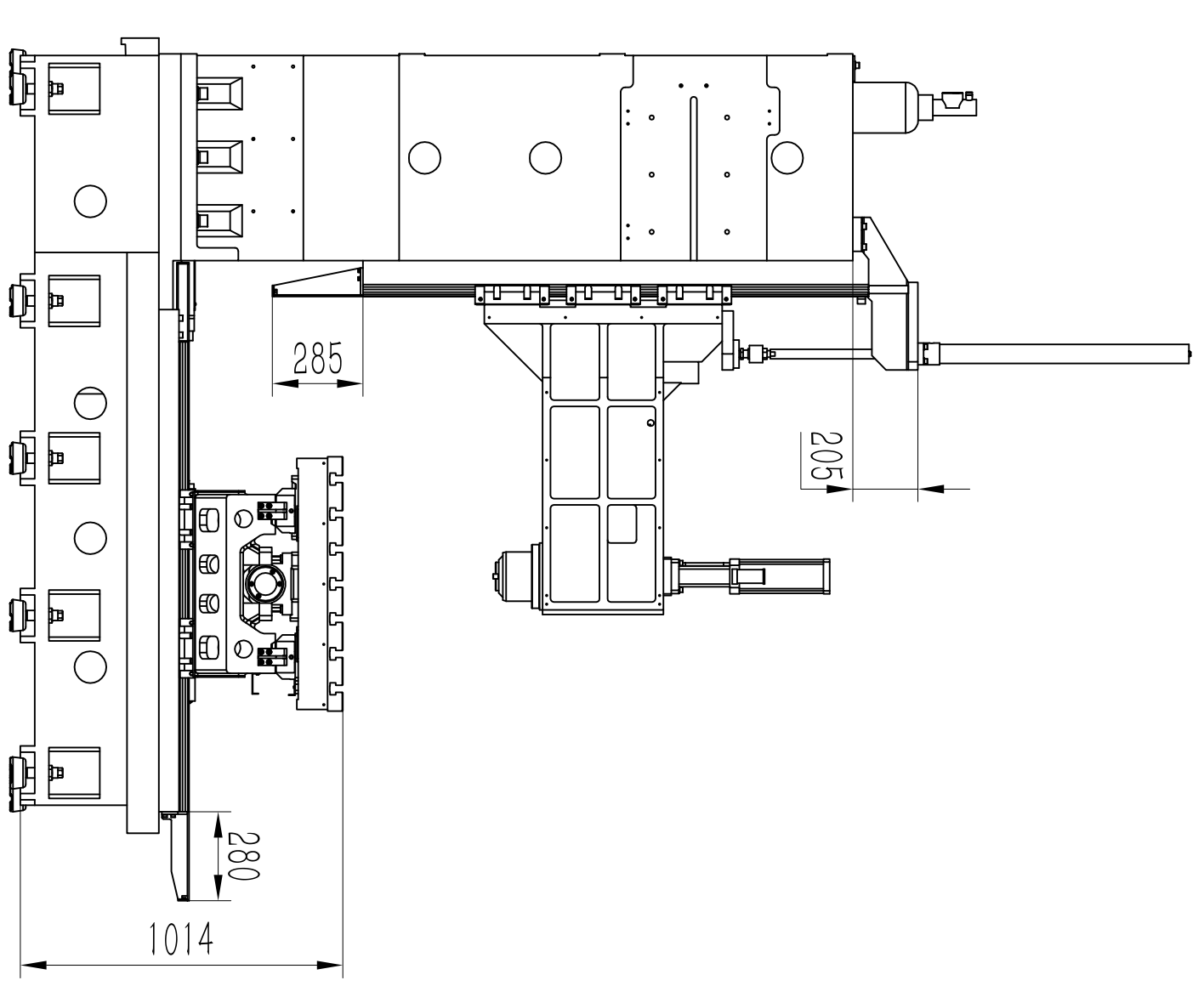
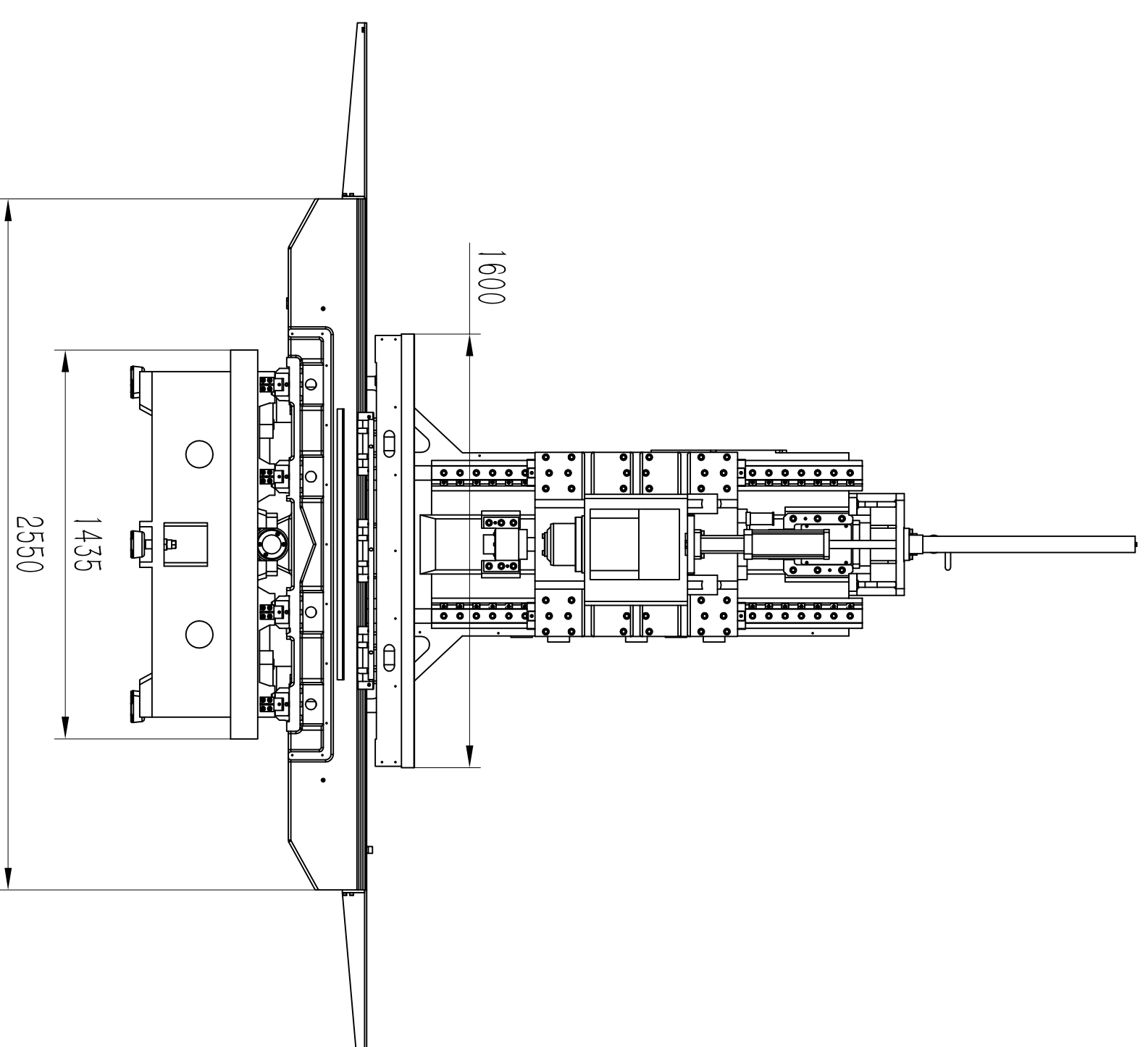
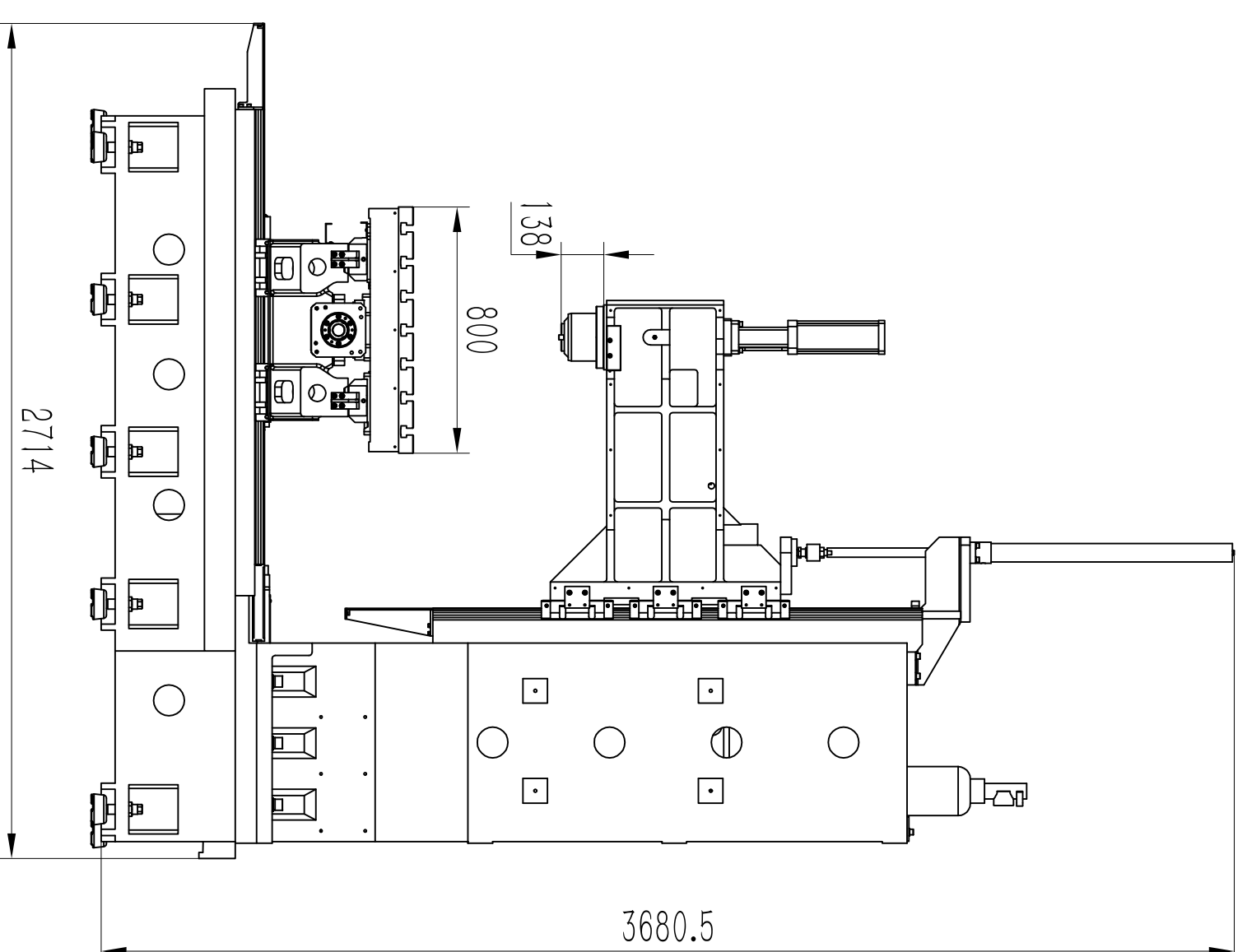
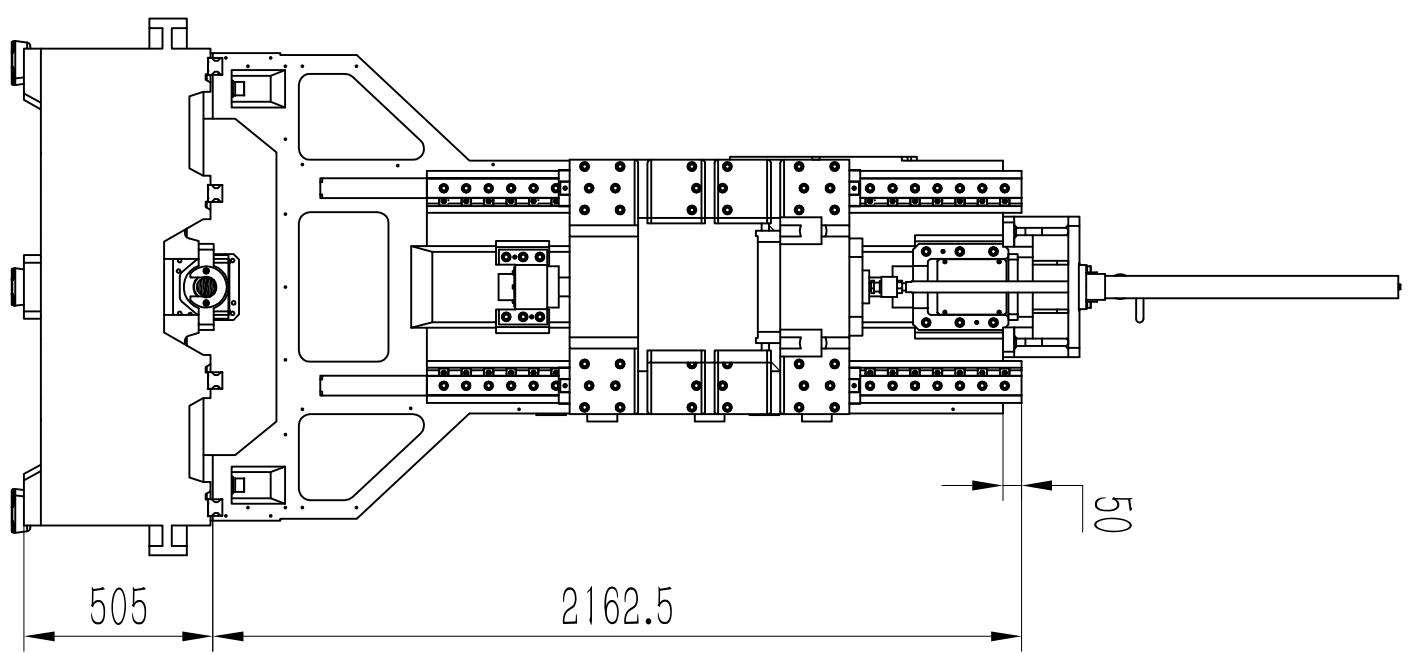
view B



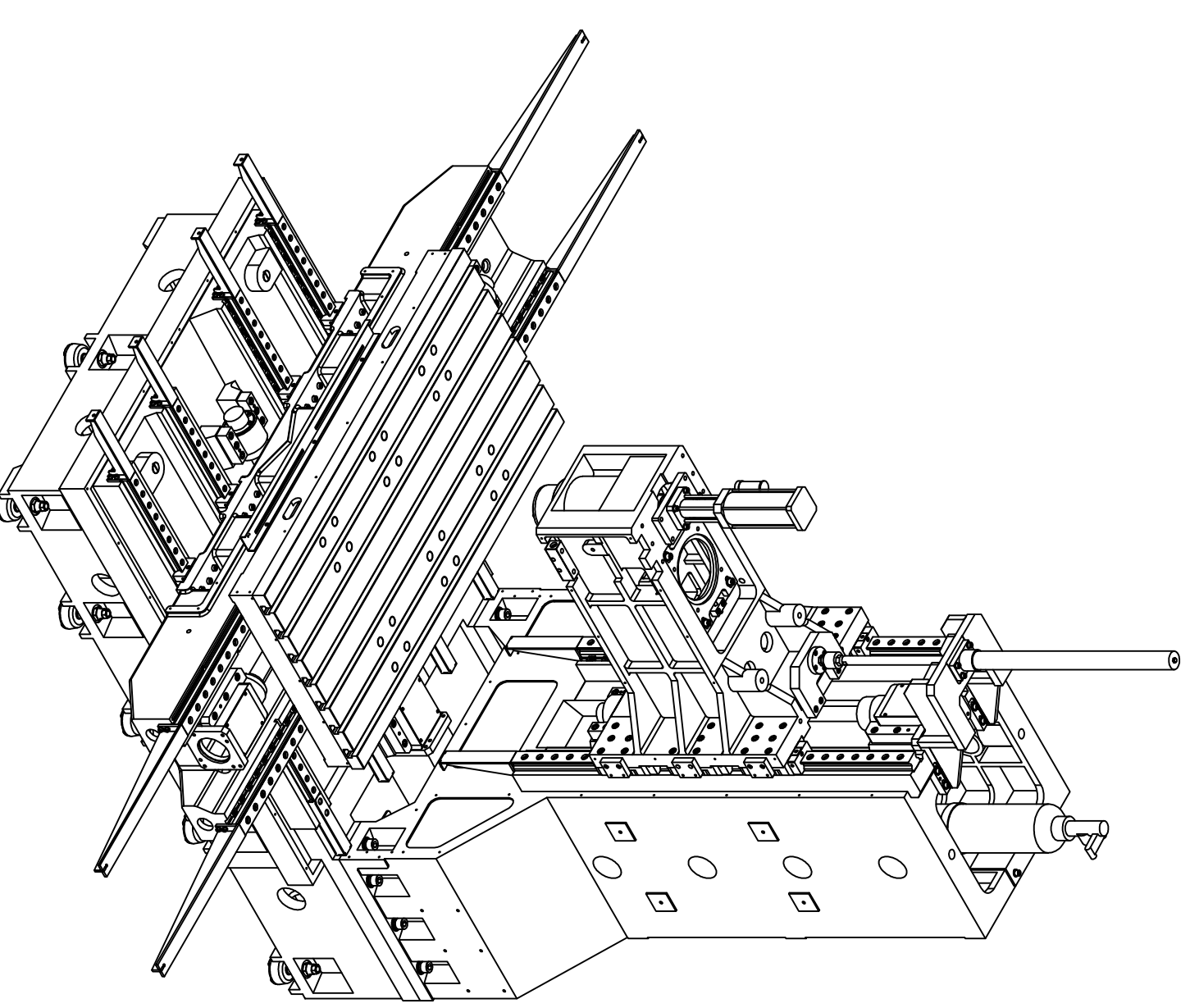
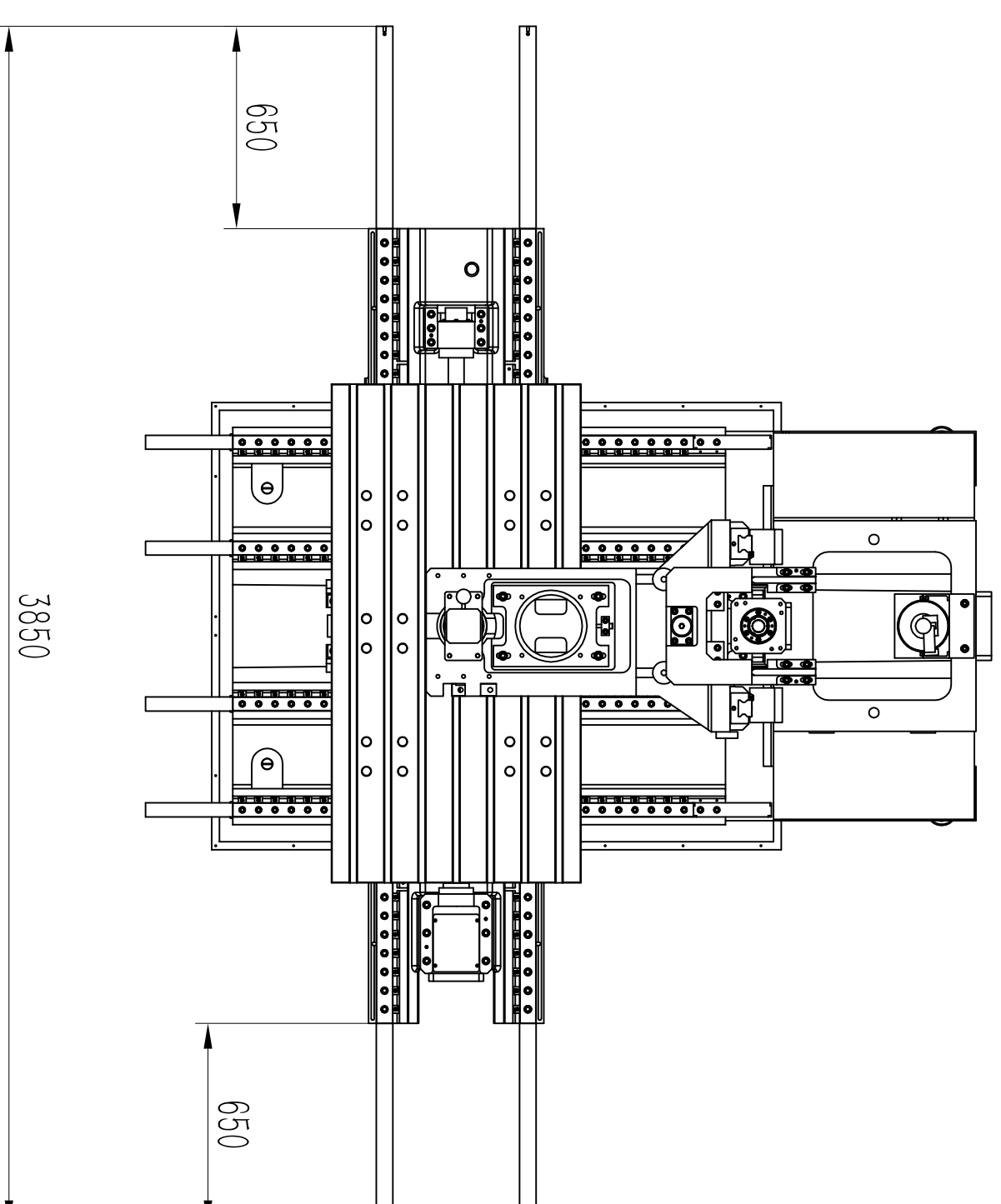
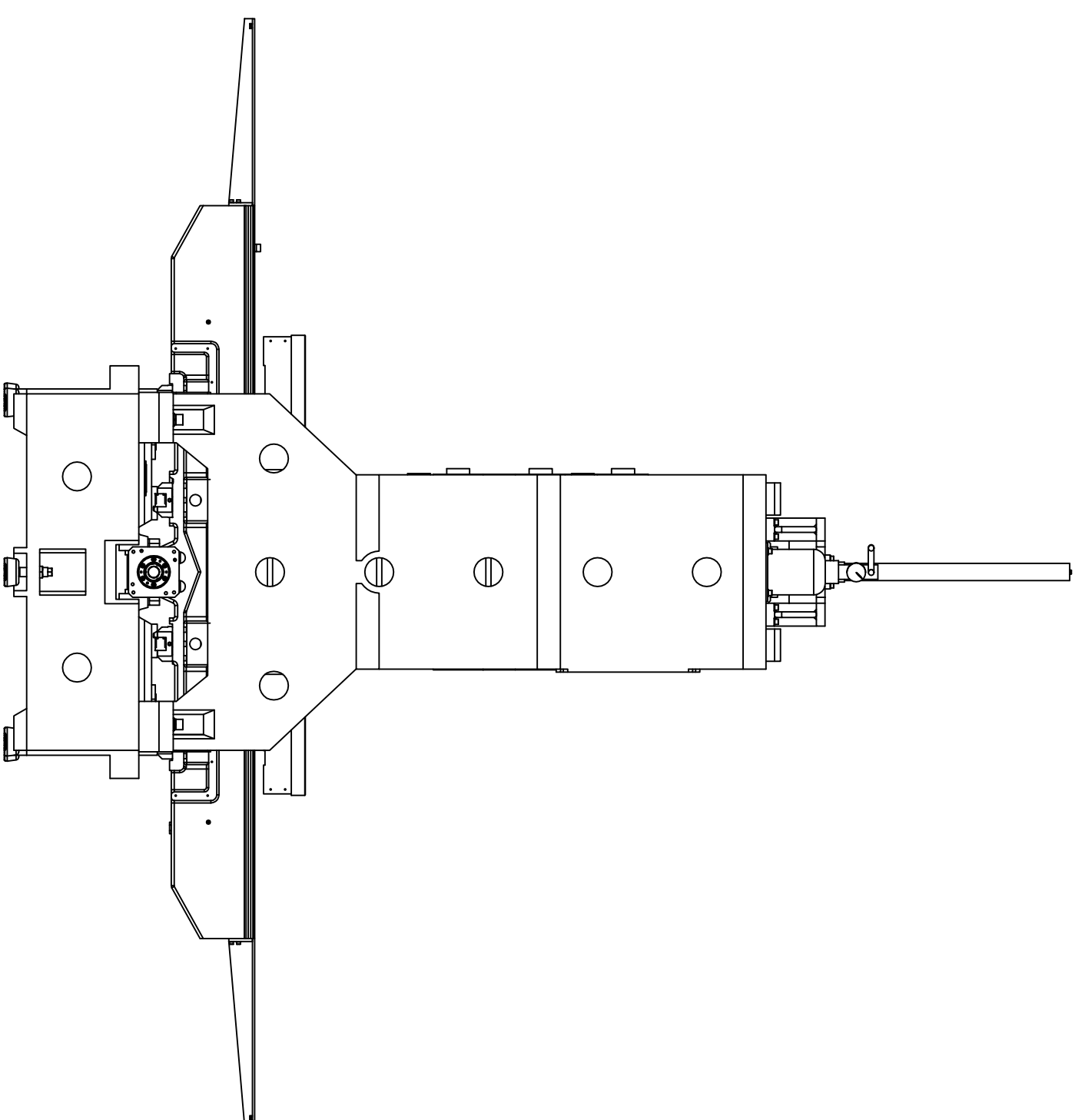
X, Y, Z three-axis Protective cover bracket (line rail extension block) by the shield manufacturer  
 (Note: Different brands of rail, rail cross-section size is different, need to pay attention to.)

X-axis travel: 1500  
 Y-axis travel: 800  
 Z-axis travel: 700

ratio	model	Machine name	VMC	Part (Group)	Total Page
1:20	CTMT-LV1580				Page 1
design					
proofread		Sichuan Chentian			
product design		machine tool		remarks	principal axis:1750-0155
review		manufacturing Co.,LTD			HIWIN pin roller lead rail
Process review					
audit					
		division name	bare outside view	engine figure number	CTMT-LV1580-001



view B

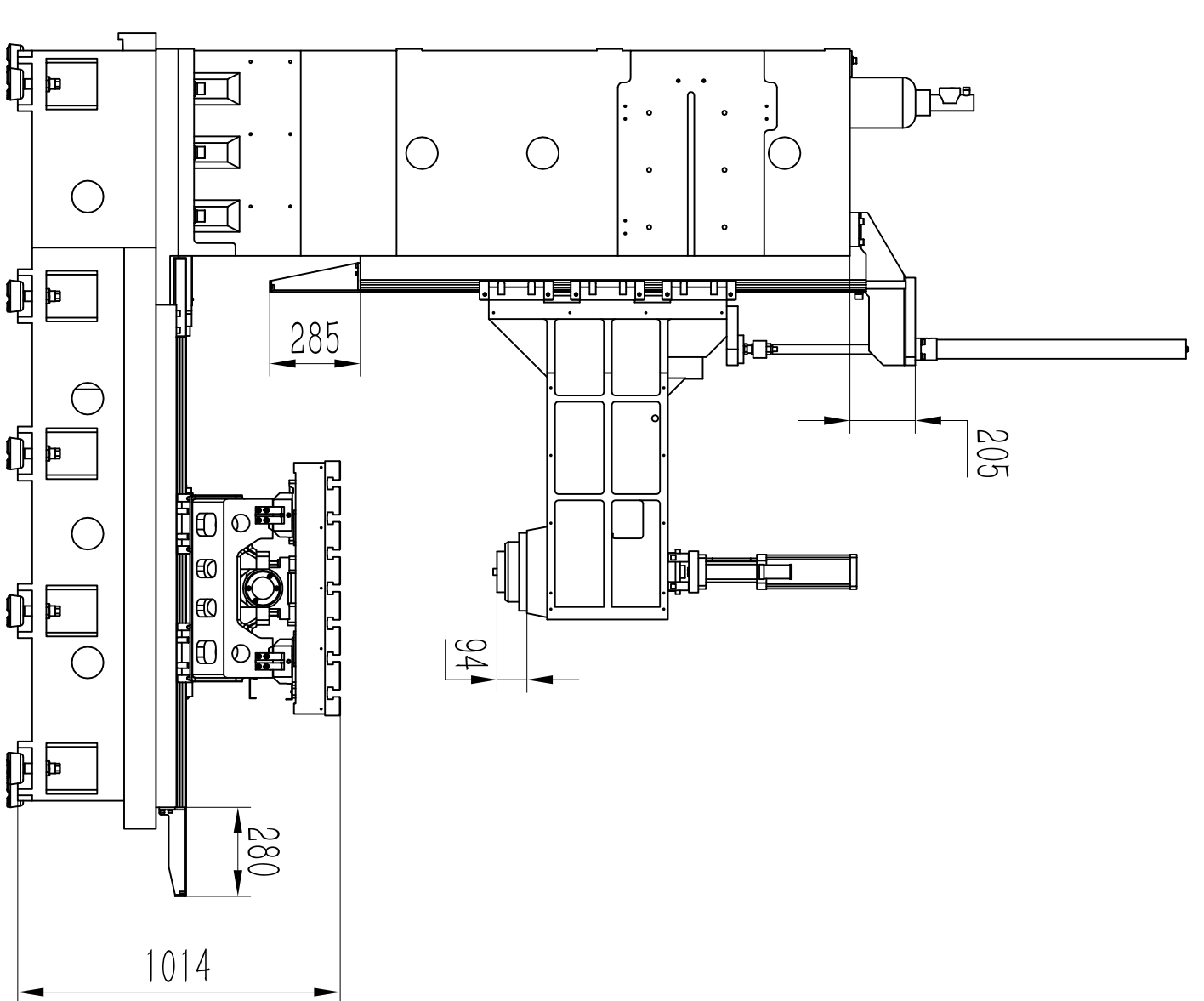
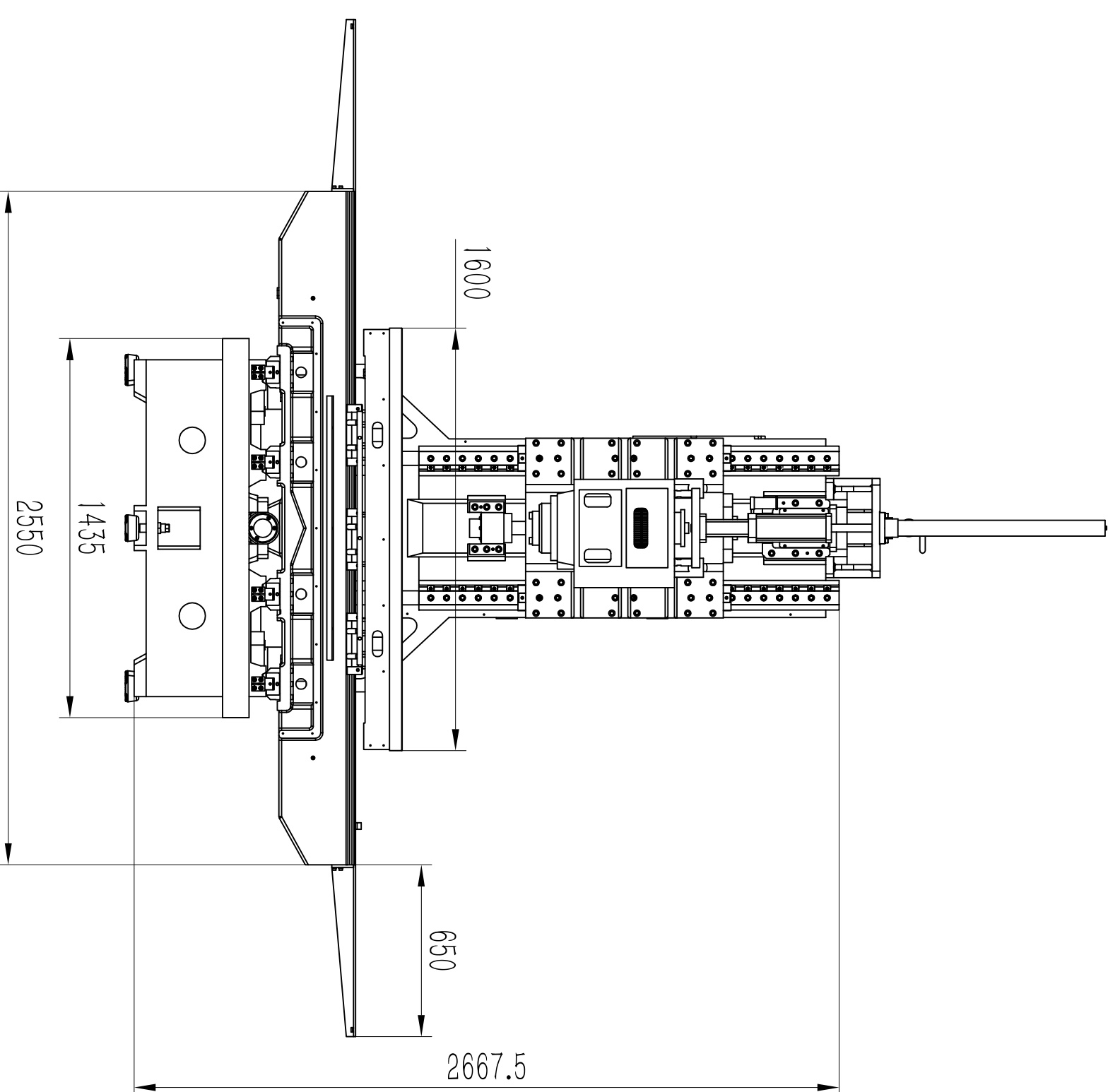
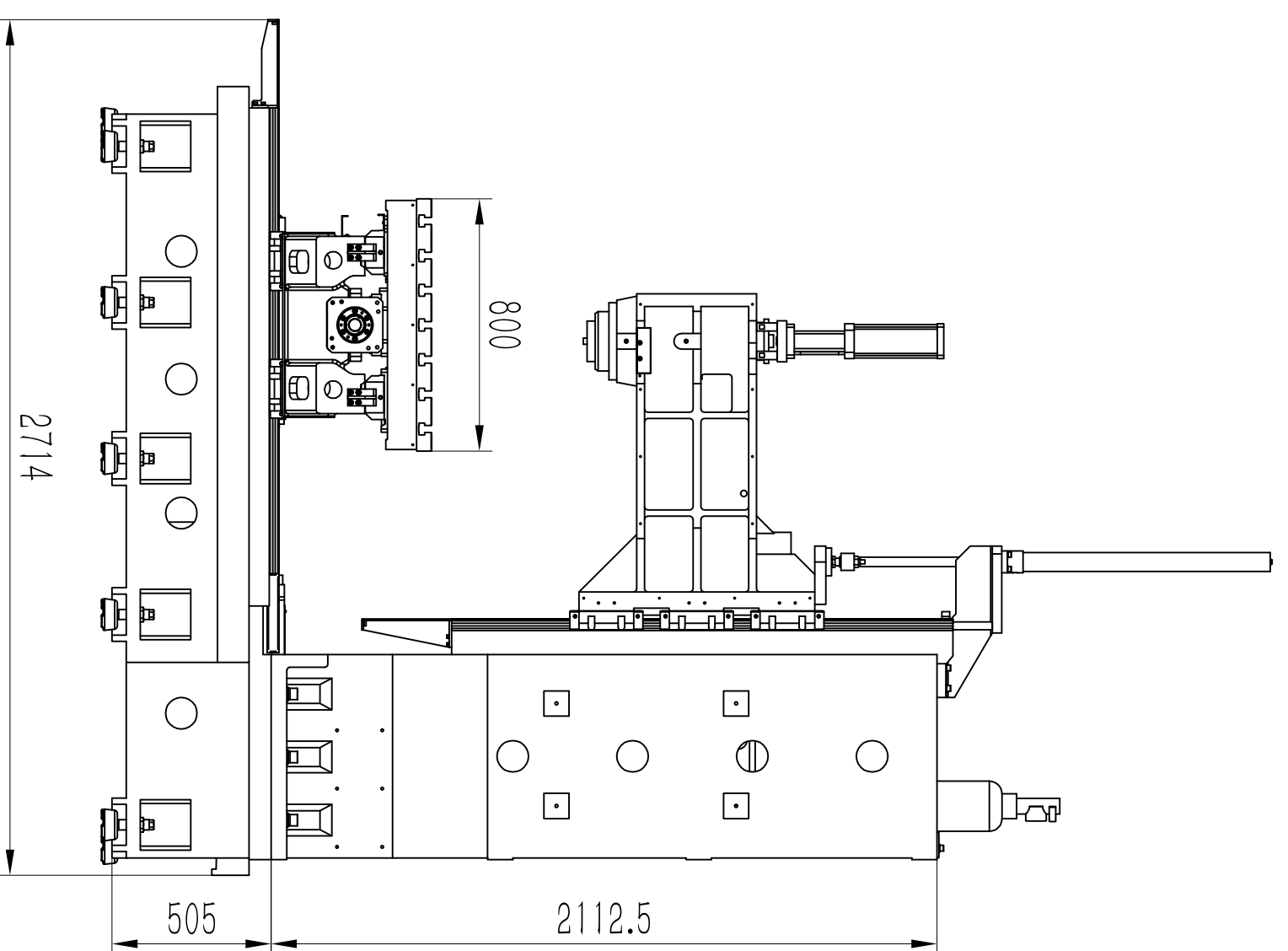
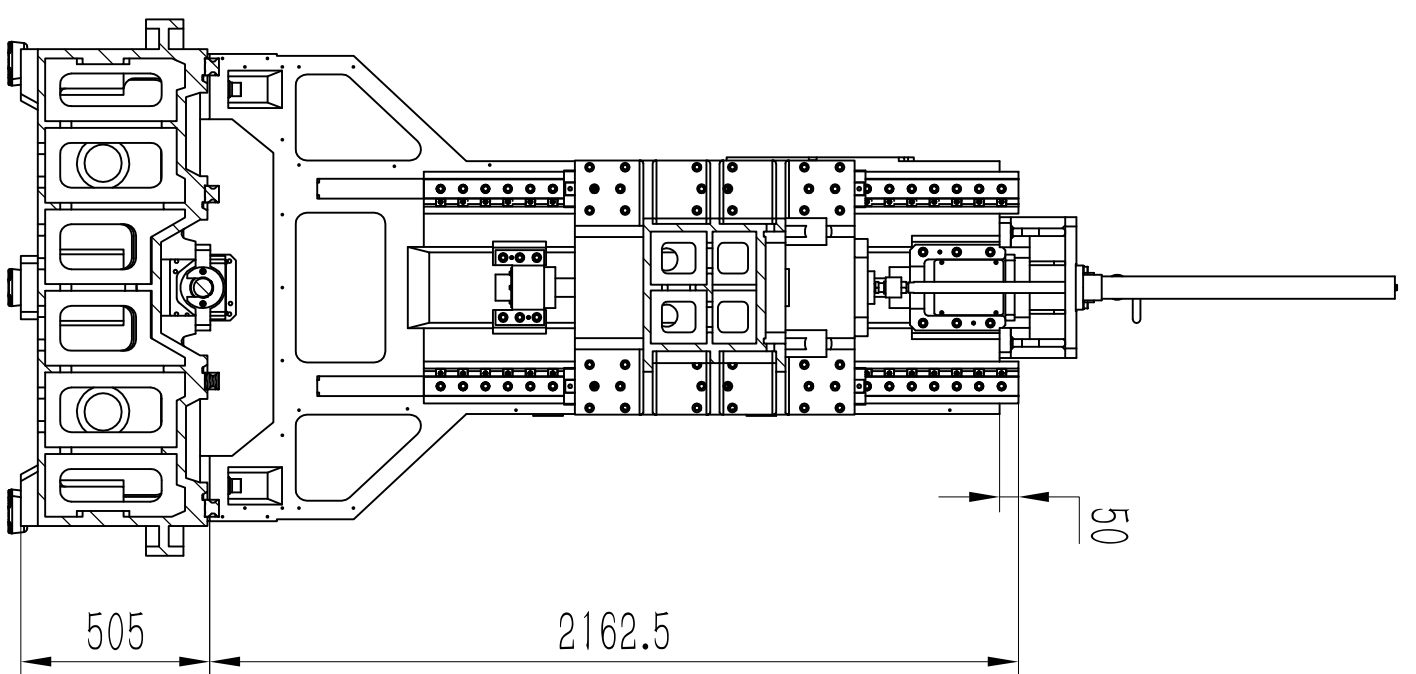


X, Y, Z three-axis Protective cover bracket (line rail extension block)  
by the shield manufacturer  
(Note: Different brands of rail, rail cross-section size is different,  
need to pay attention to.)

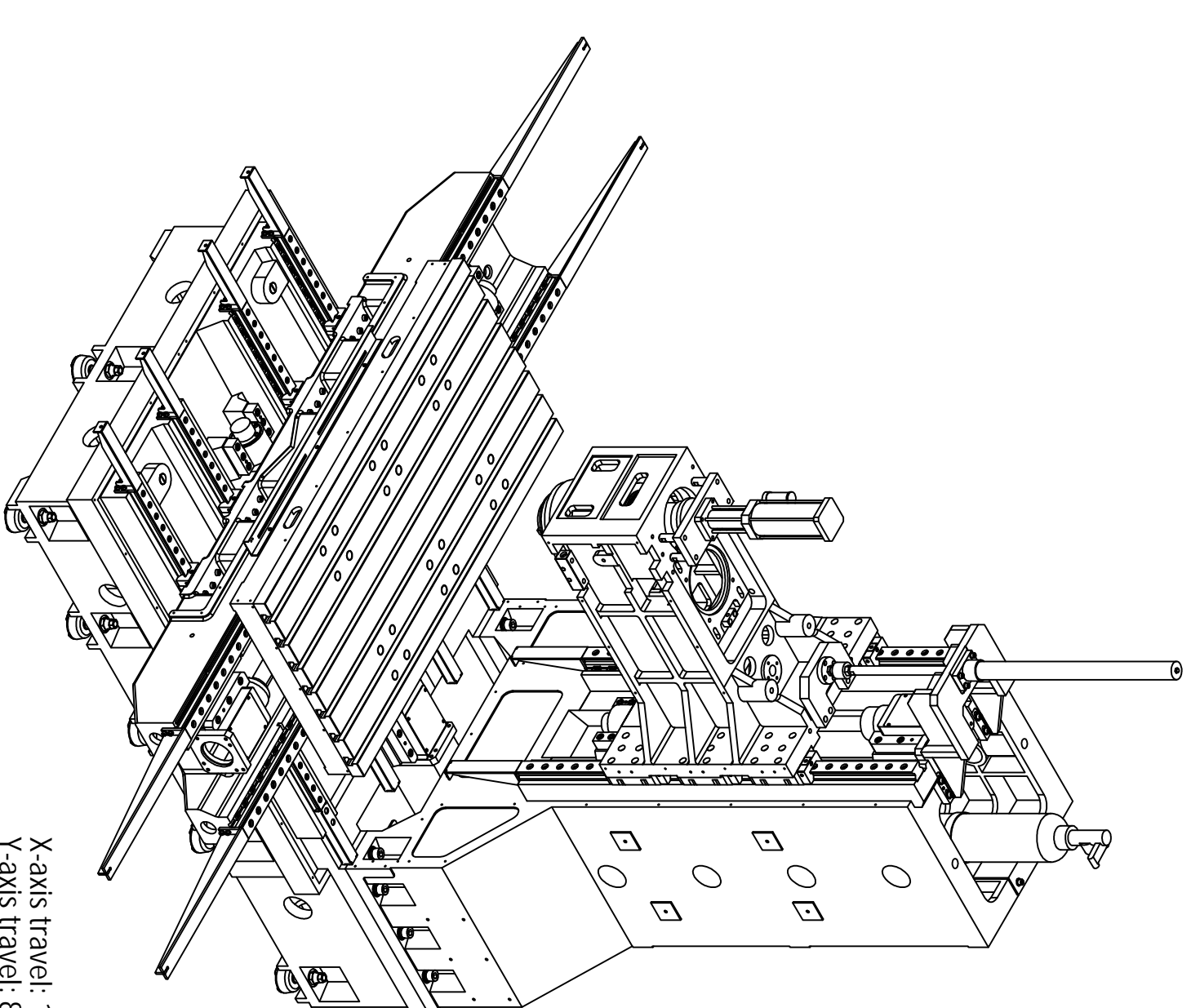
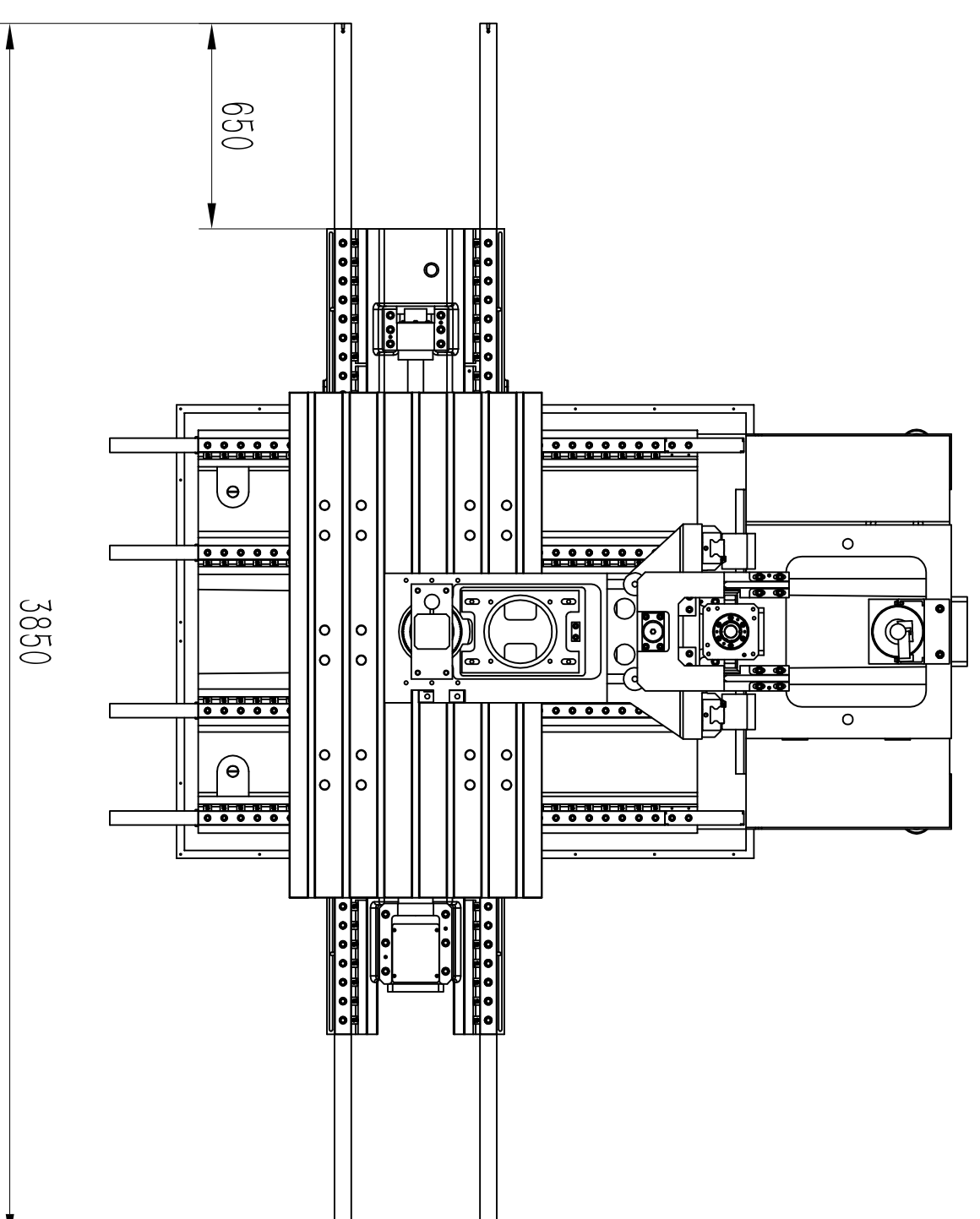
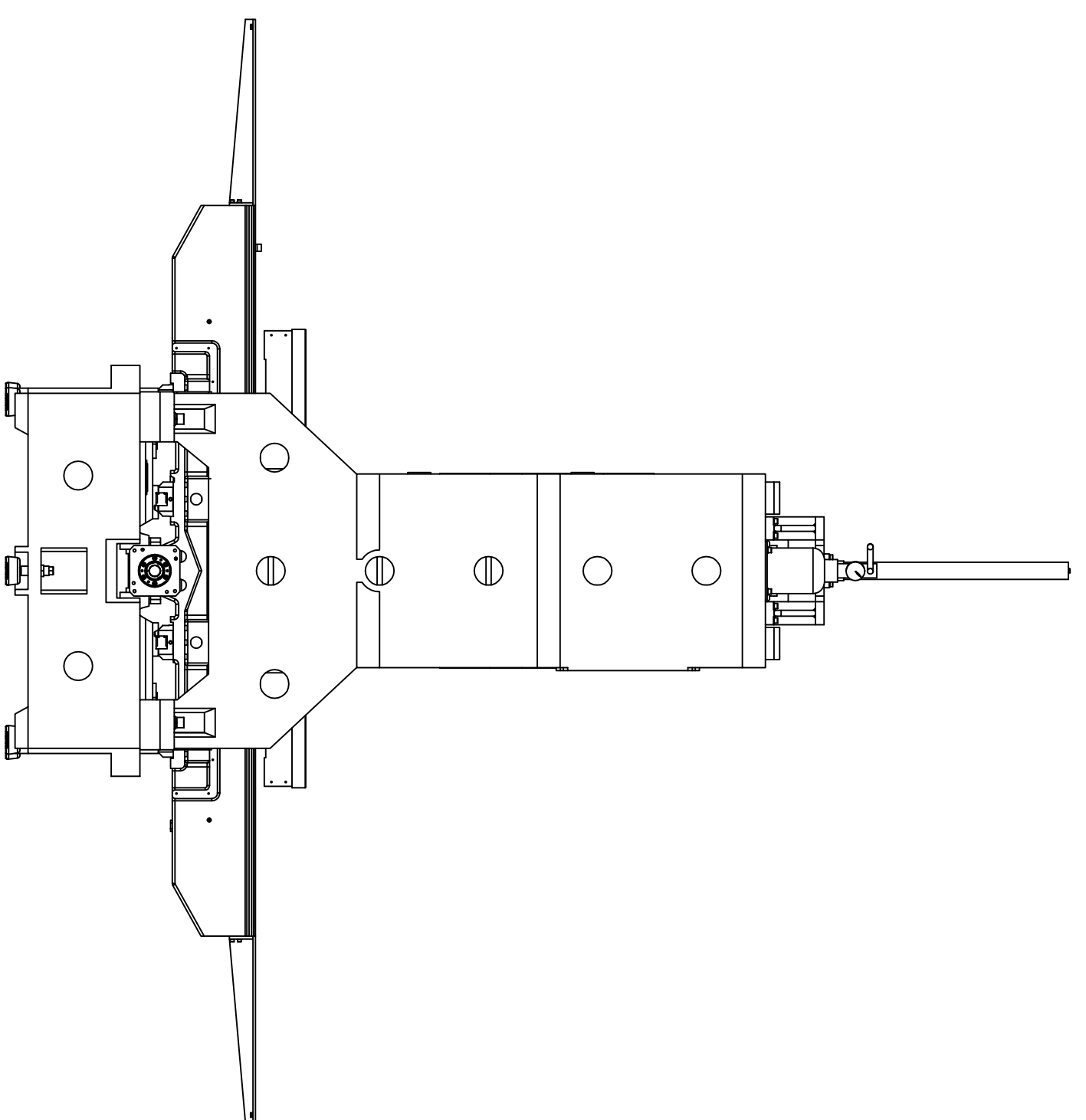
X-axis travel: 1500  
Y-axis travel: 800  
Z-axis travel: 700

ratio	model	Machine name	VMC	Part (group)	Total 1 page
1:20	CTMT-LV1580				Page 1
design					
proofread		Sichuan Chentian			
product design		machine tool		remarks	principal axis:ST40-Q150-
review		manufacturing Co.,LTD			8000
process review					HIWIN pin roller lead rail
audit					
		division name	bare engine	Figure number	CTMT-LV1580-001A
			outside view		





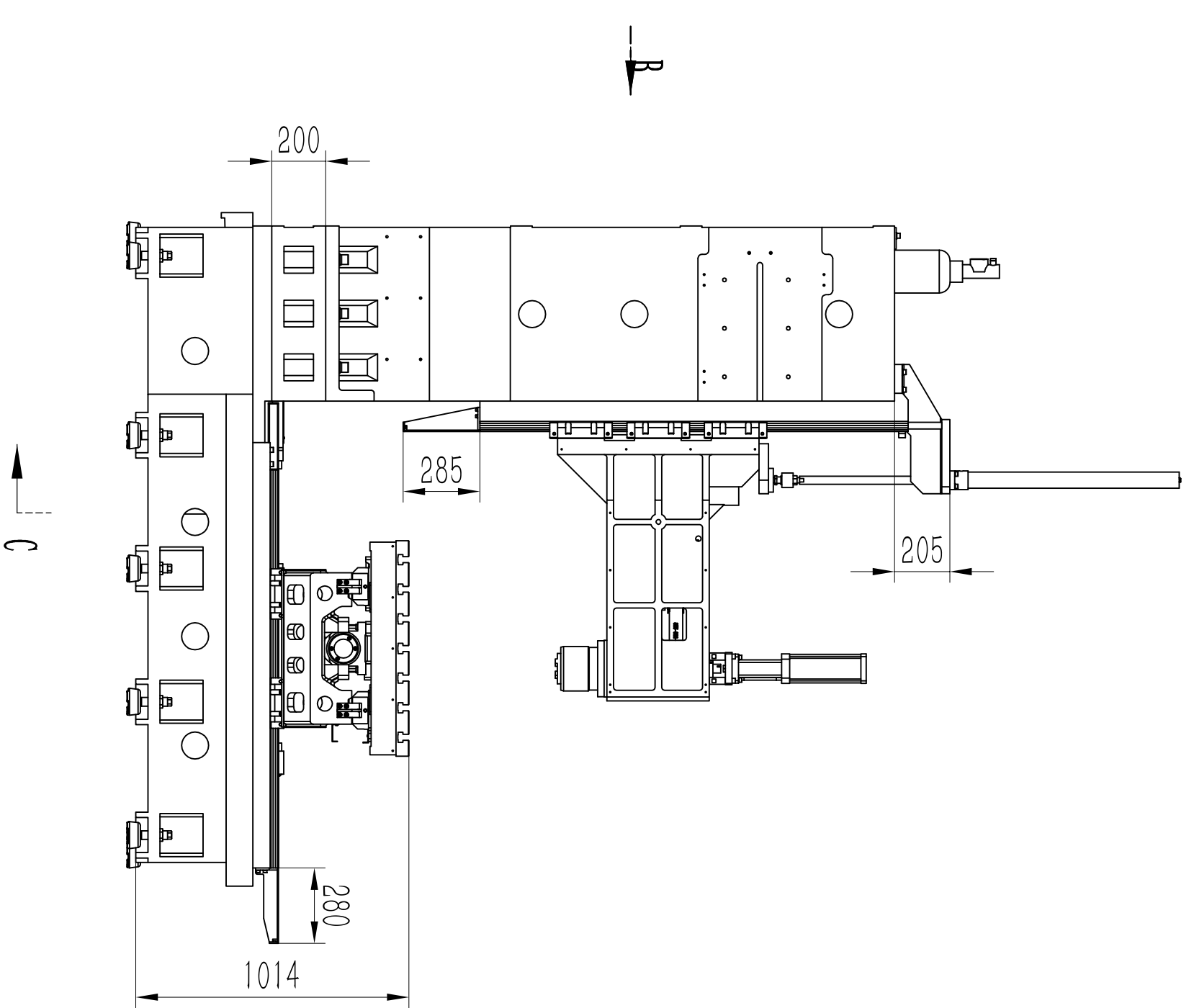
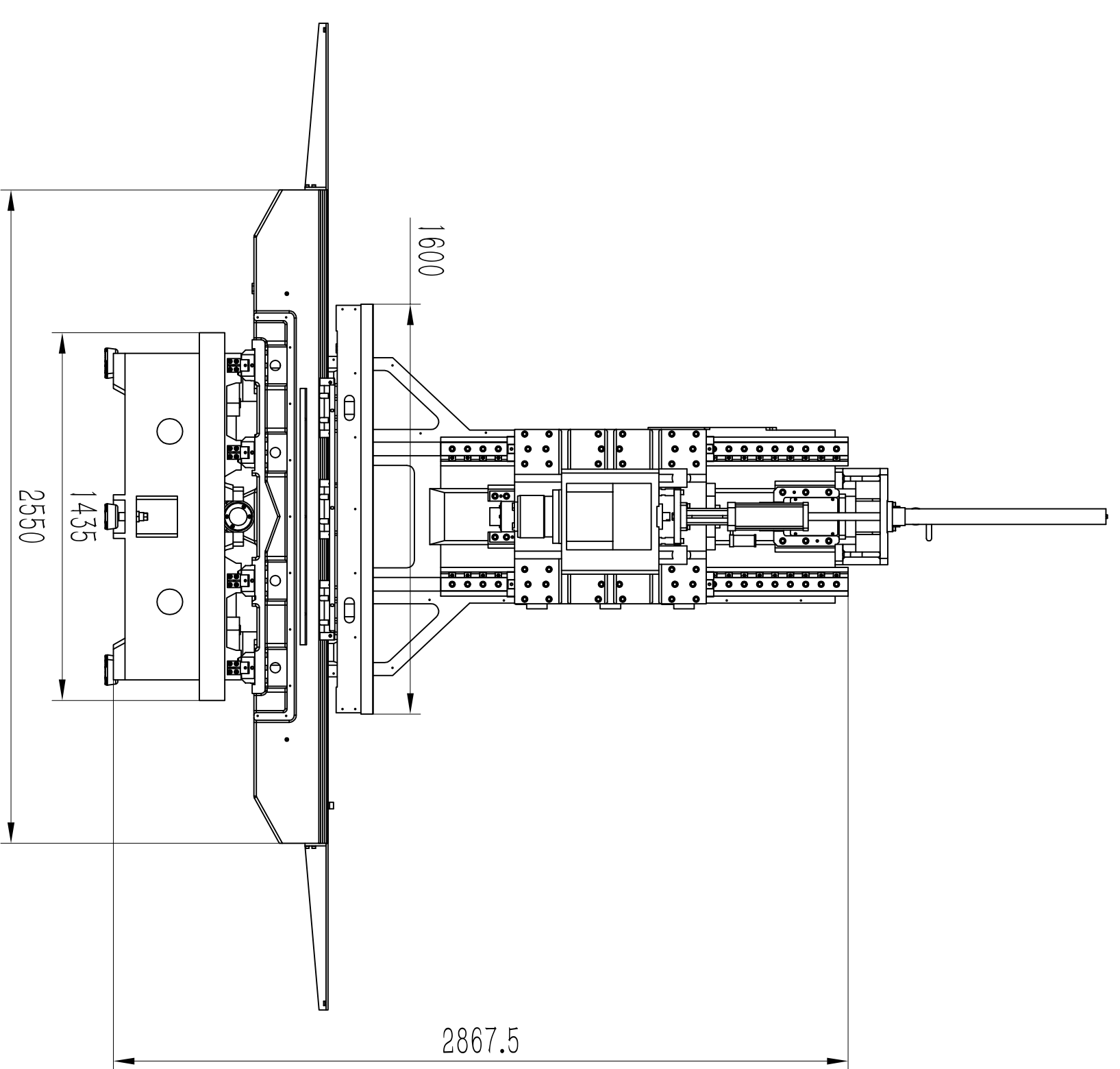
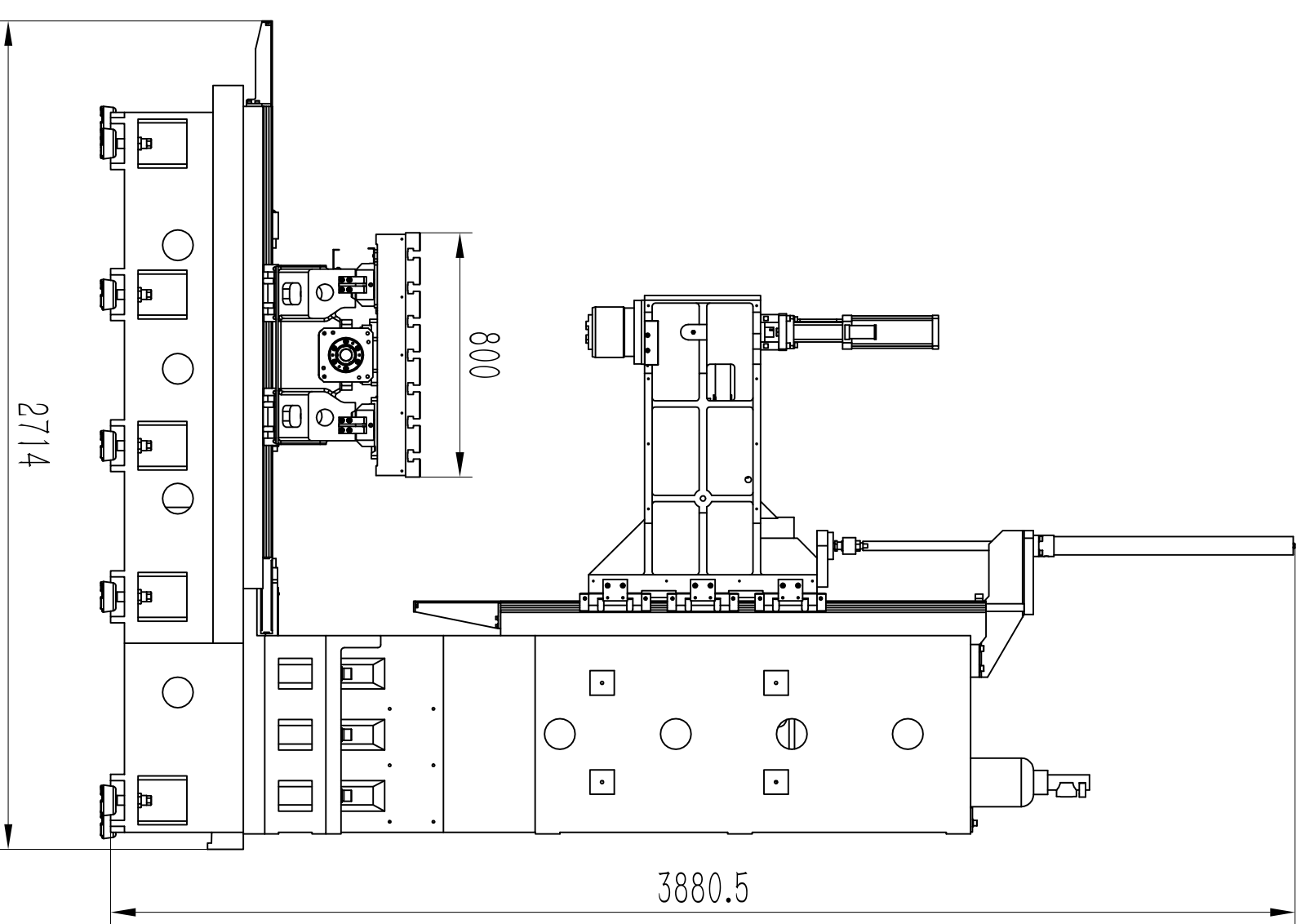
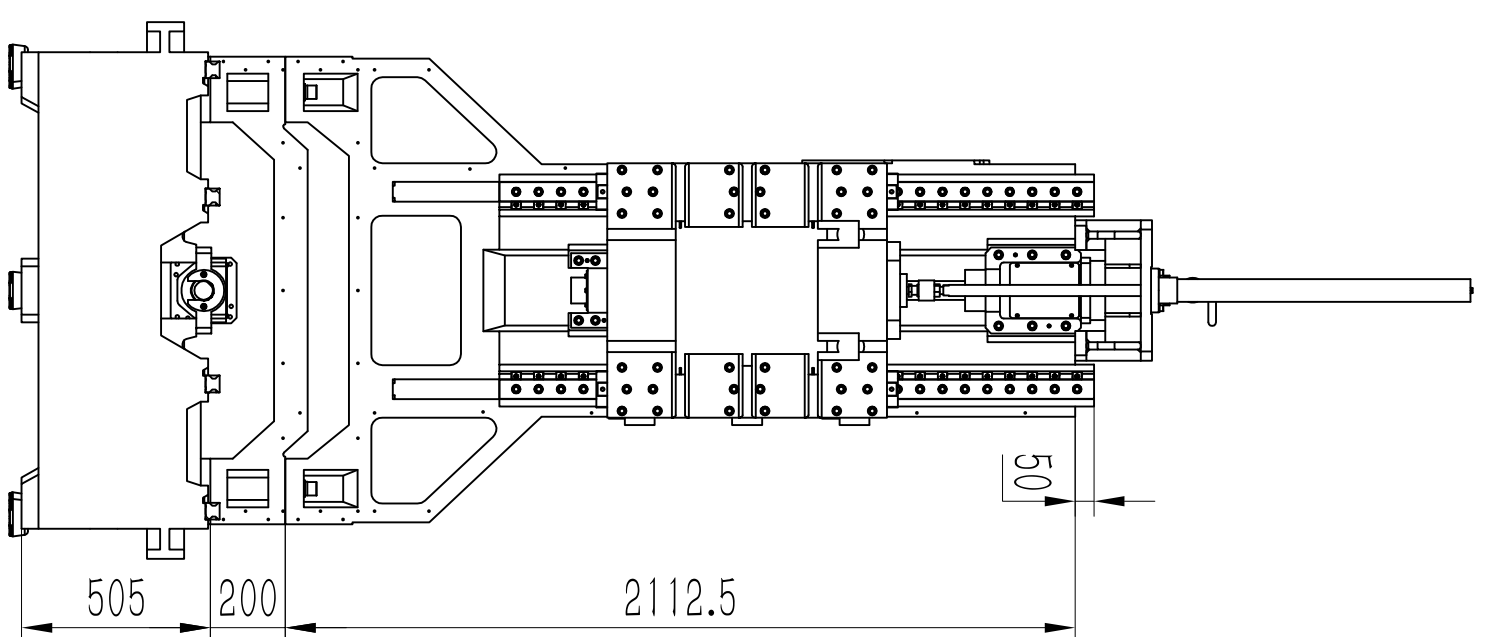
view B



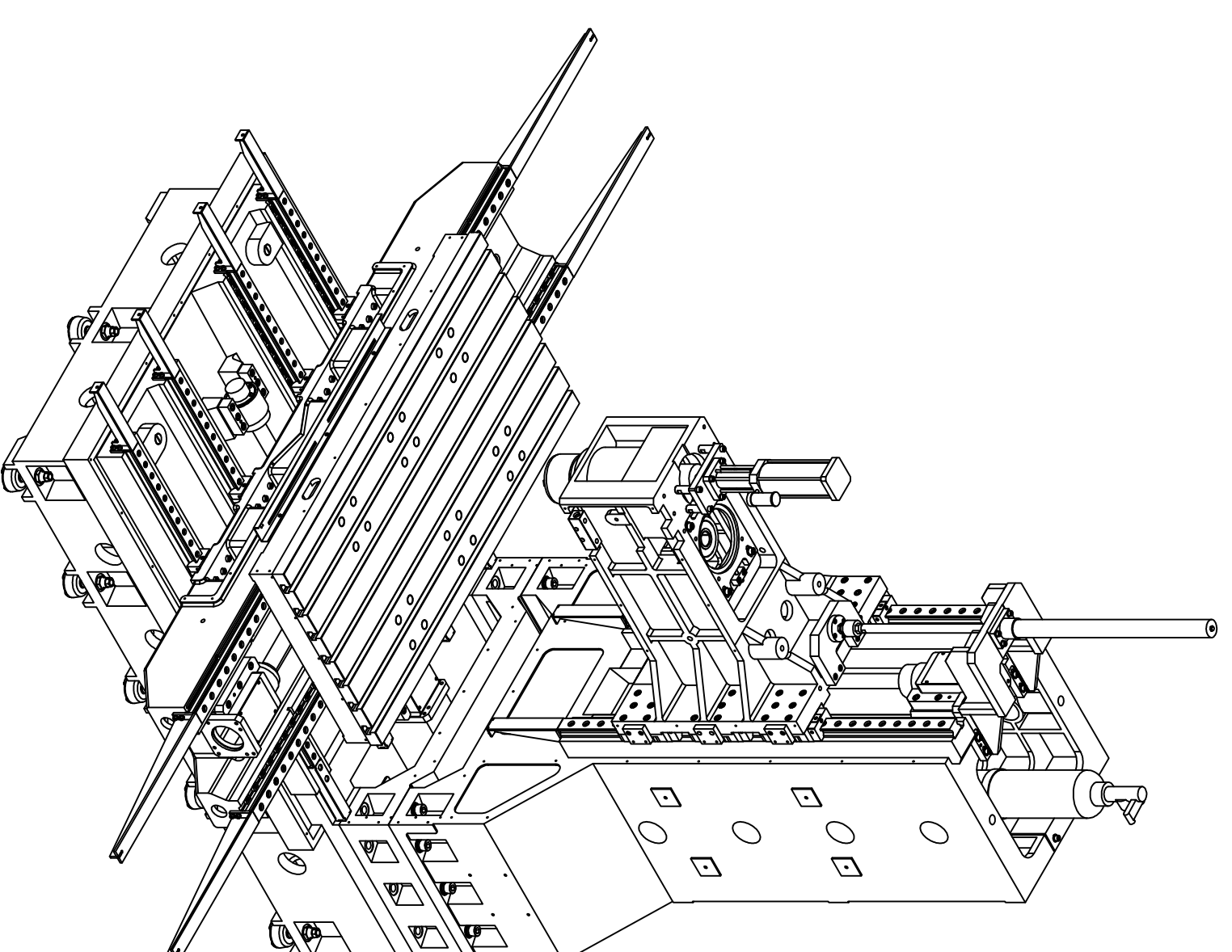
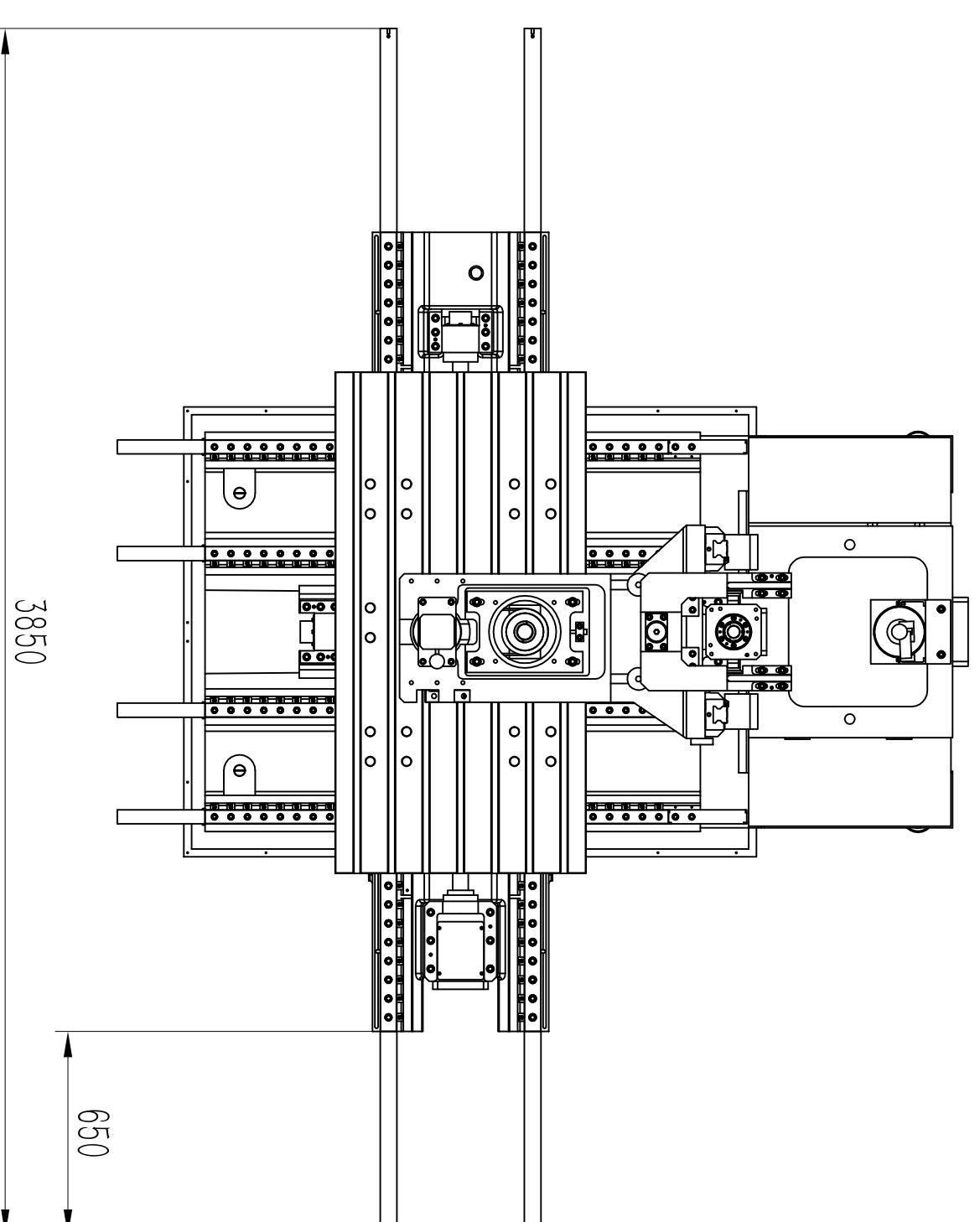
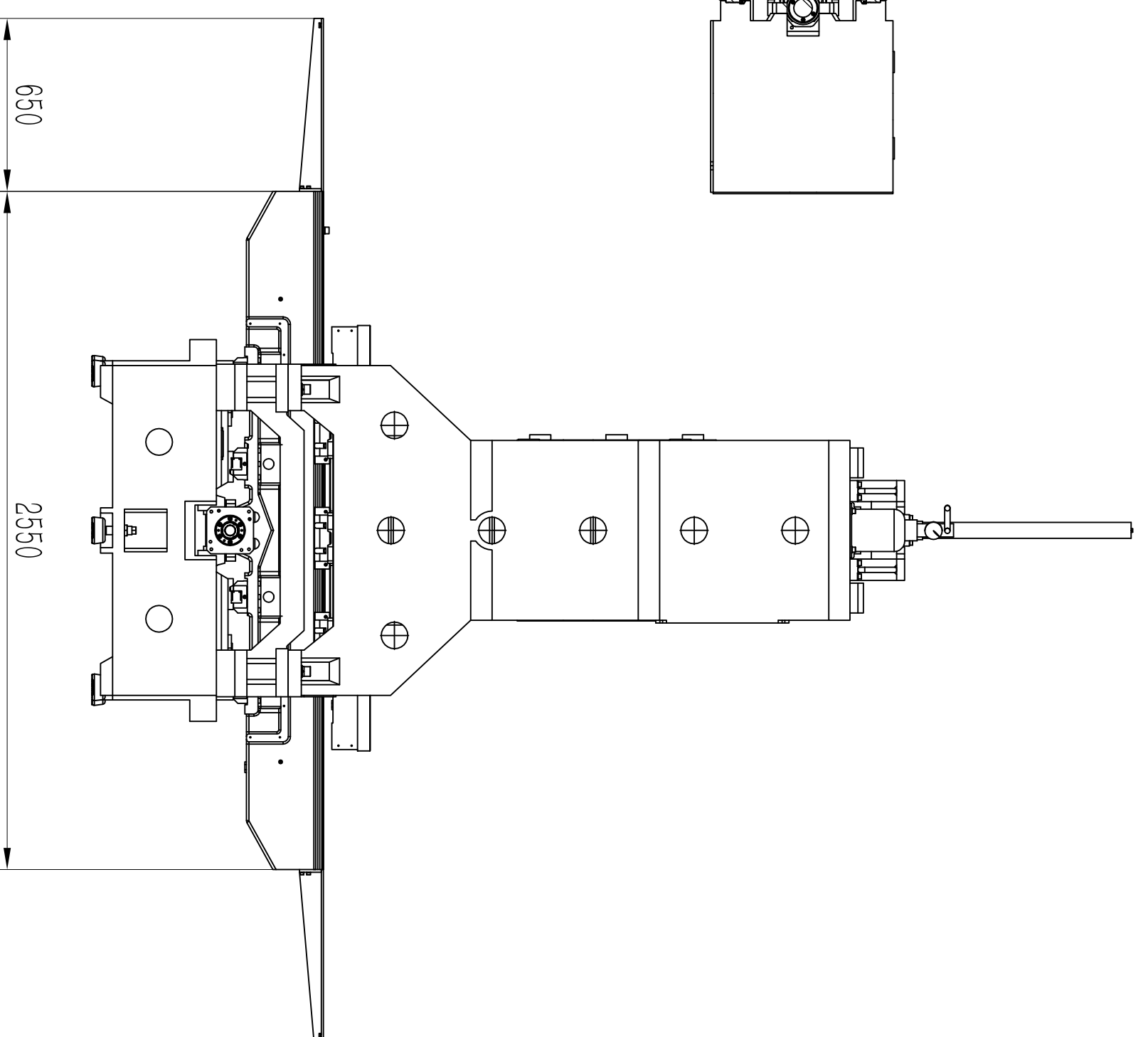
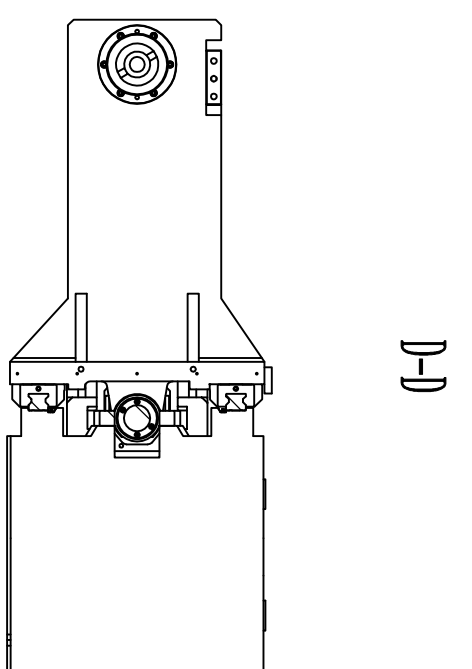
X, Y, Z three-axis Protective cover bracket (line rail extension block) by the shield manufacturer  
 (Note: Different brands of rail, rail cross-section size is different, need to pay attention to.)

X-axis travel: 1500  
 Y-axis travel: 800  
 Z-axis travel: 700

ratio	model	Machine name	VMC	Part (Group)	Total Page
1:20	CTMT-LV1580	name			Page 1
design					
proofread					
product design		Sichuan Chentian machine tool manufacturing Co.,LTD		remarks	principal axis:8150-Φ190
review					HIWIN pin roller lead rail
Process review					
audit				division name	CTMT-LV1580-001B
				bare engine outside view	figure number



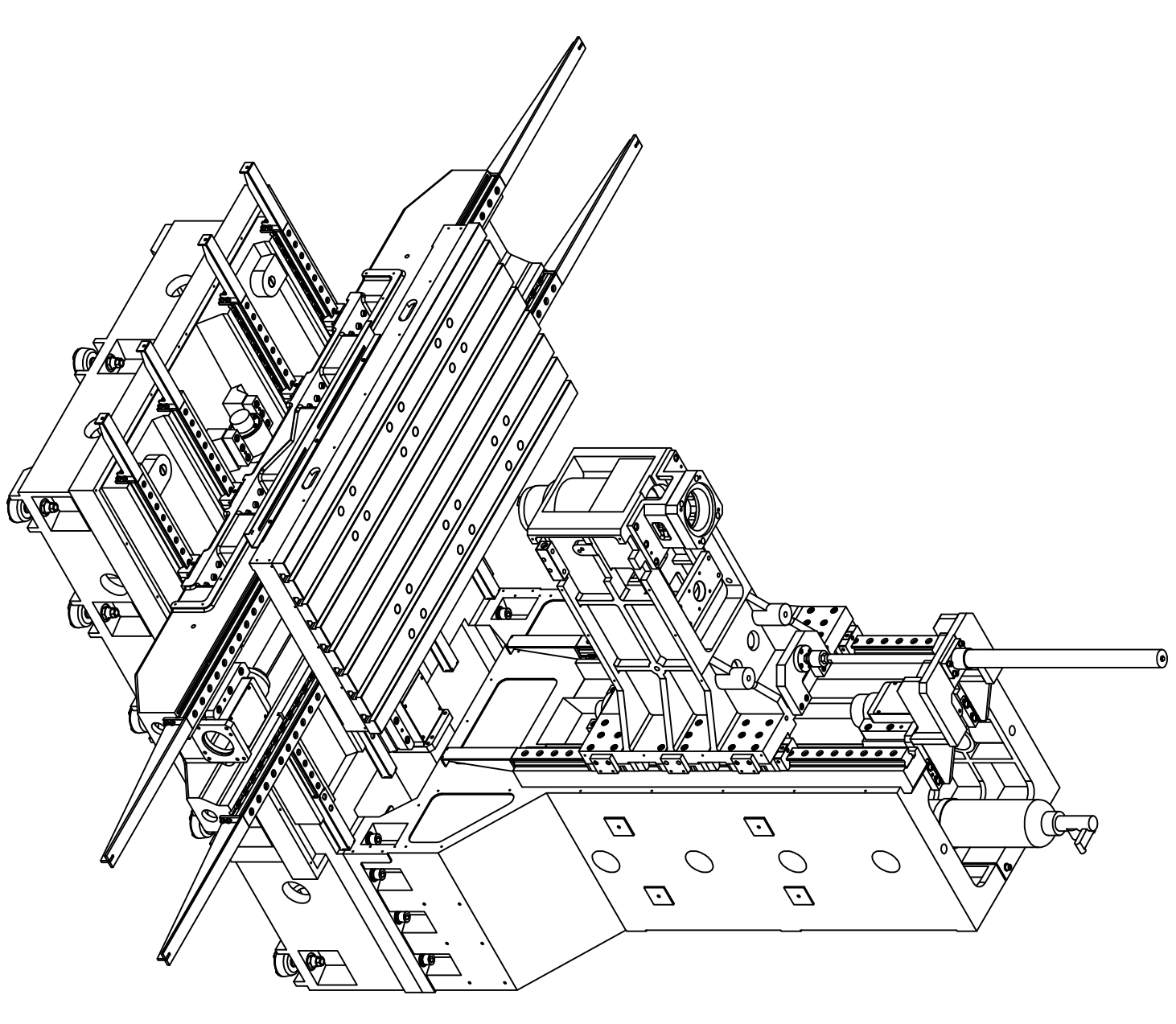
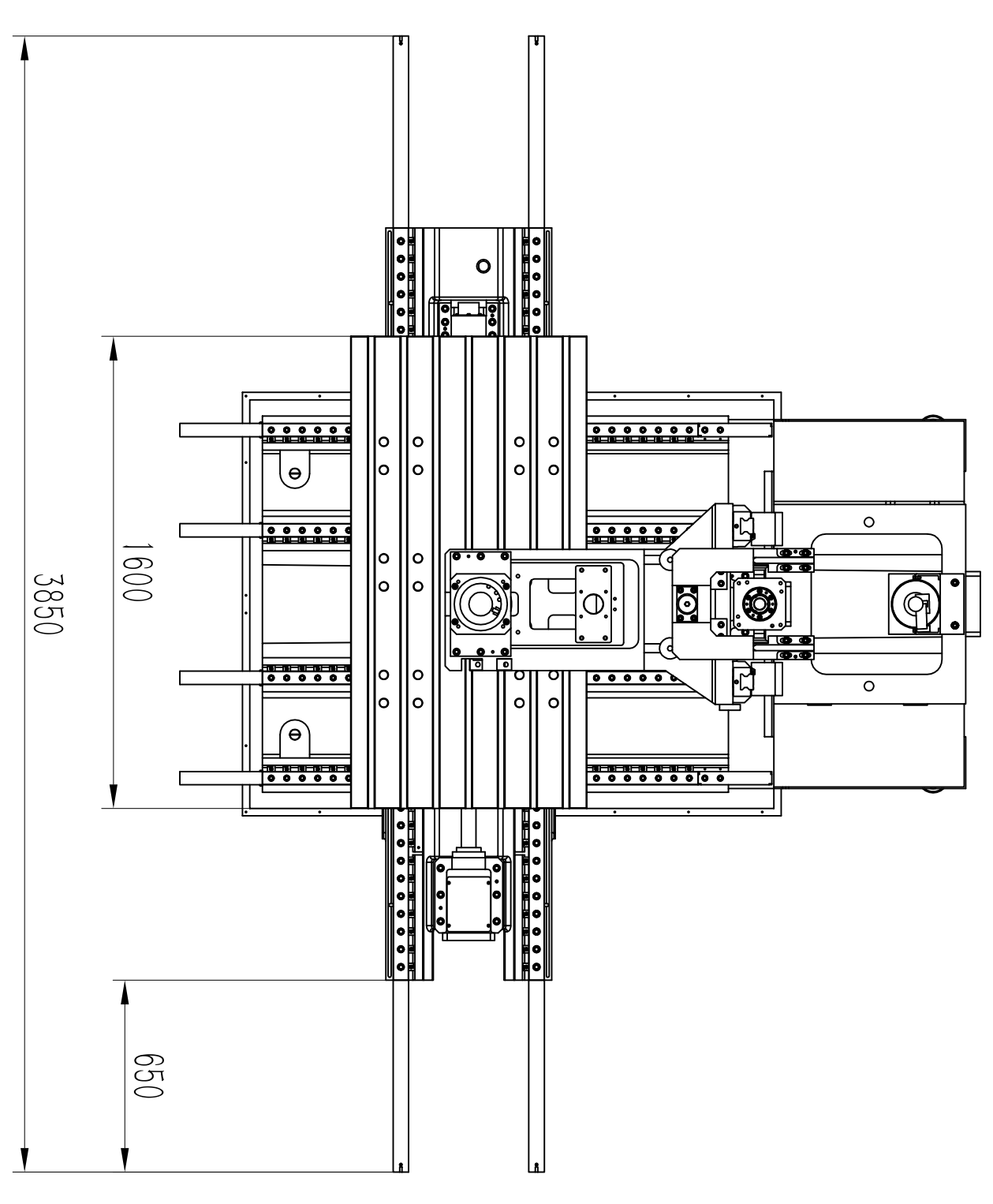
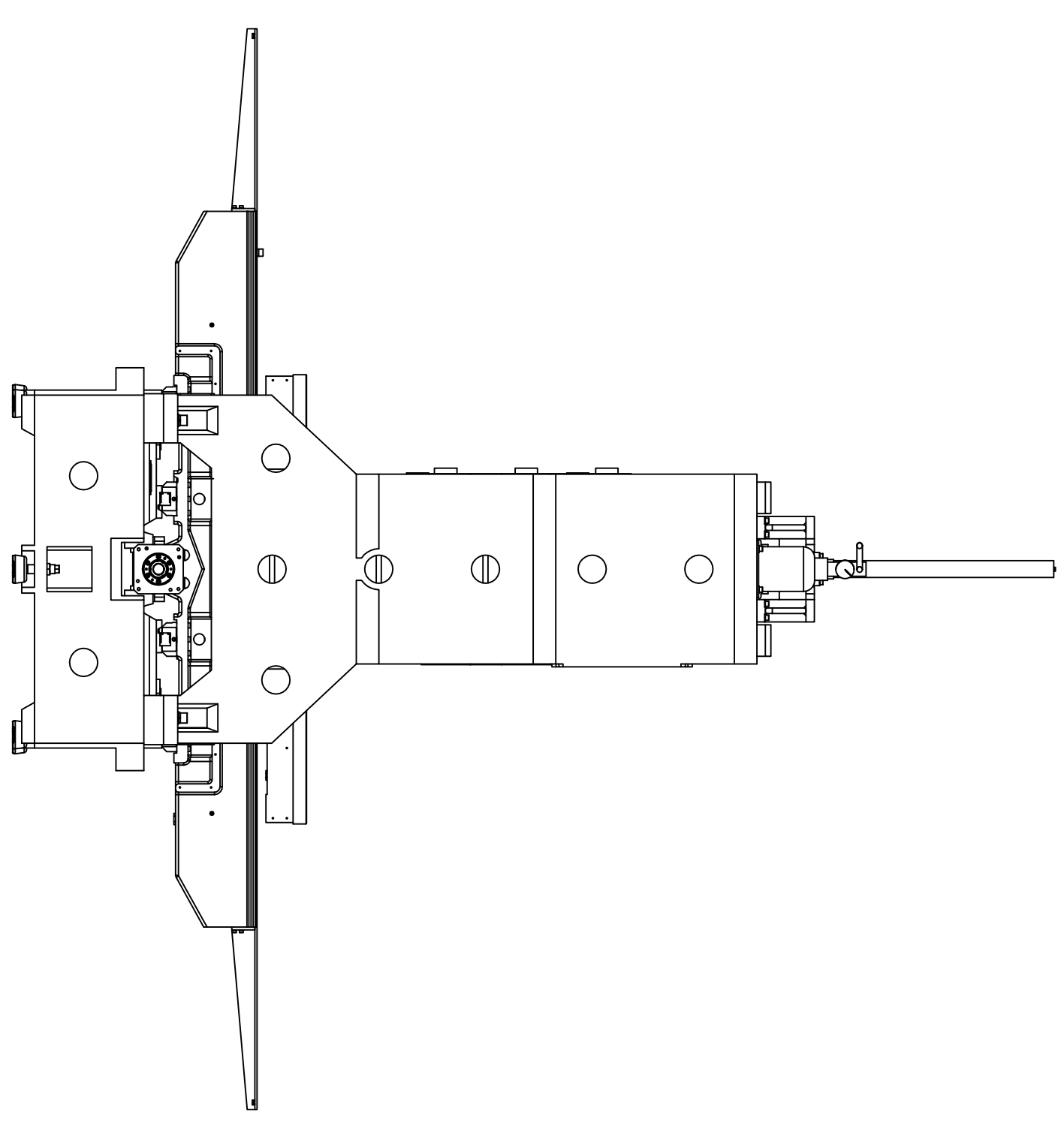
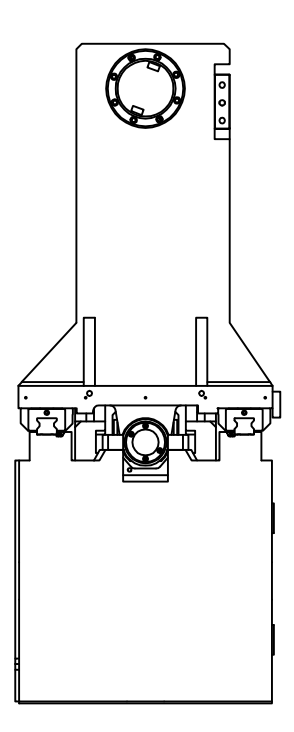
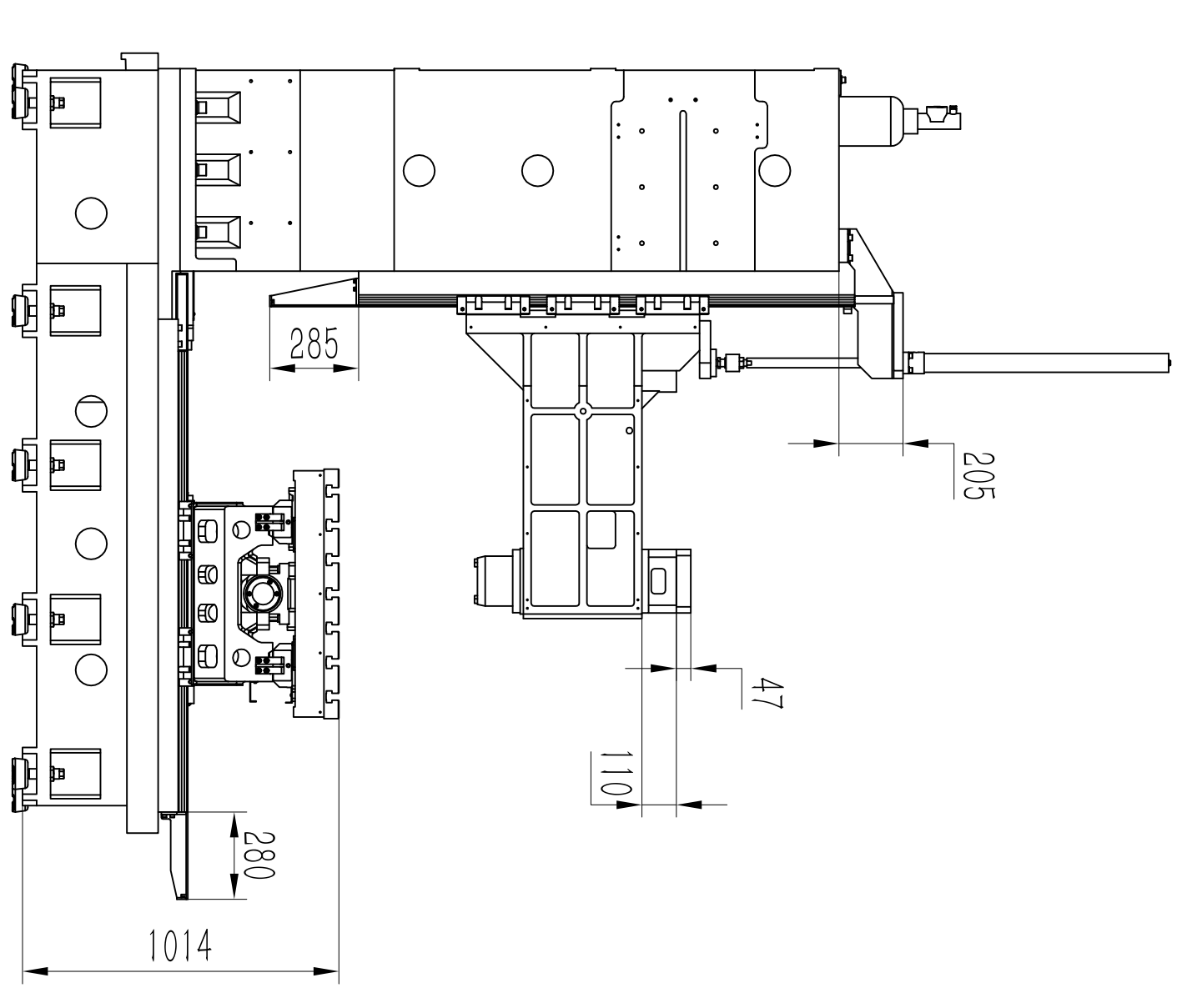
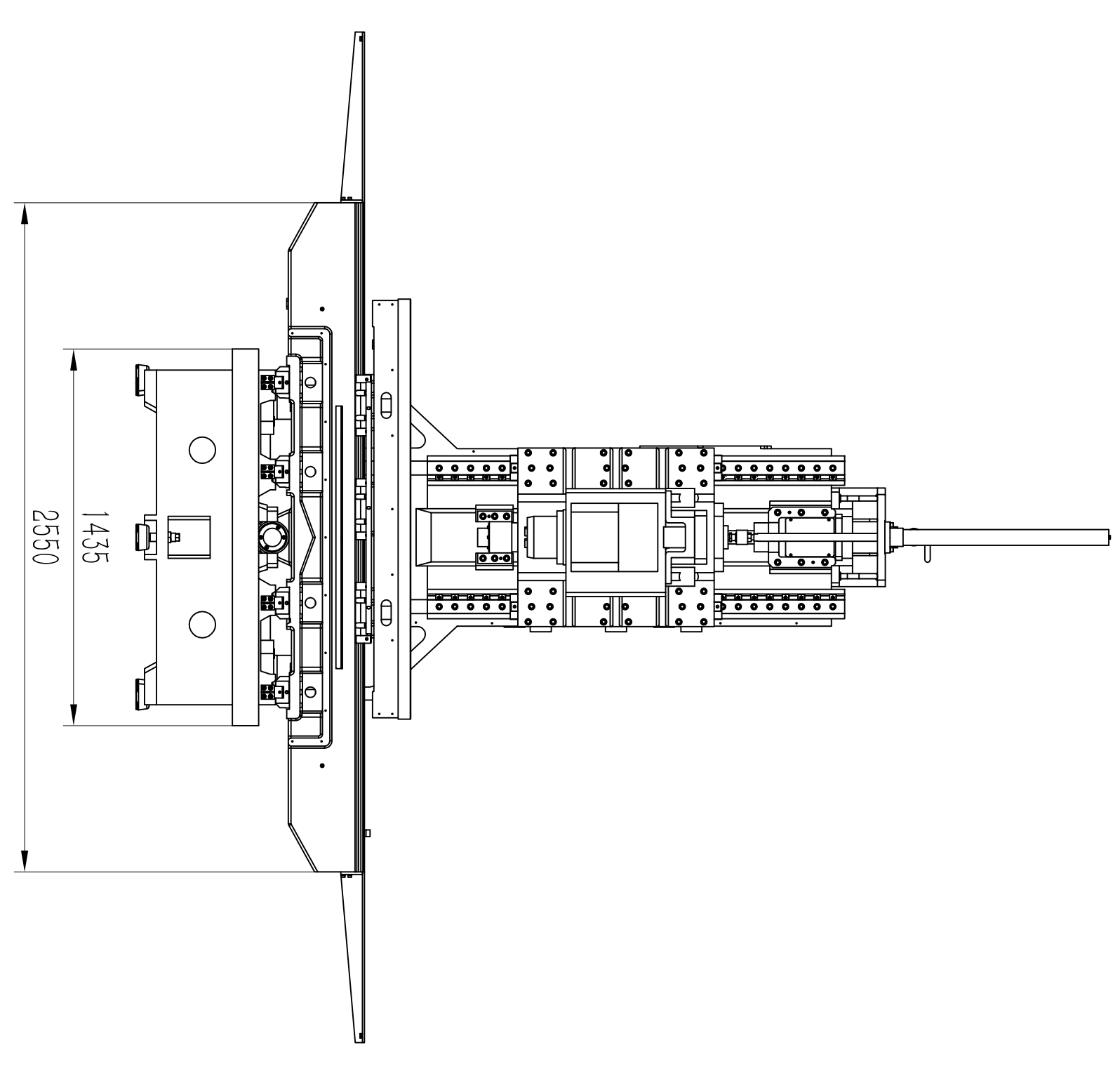
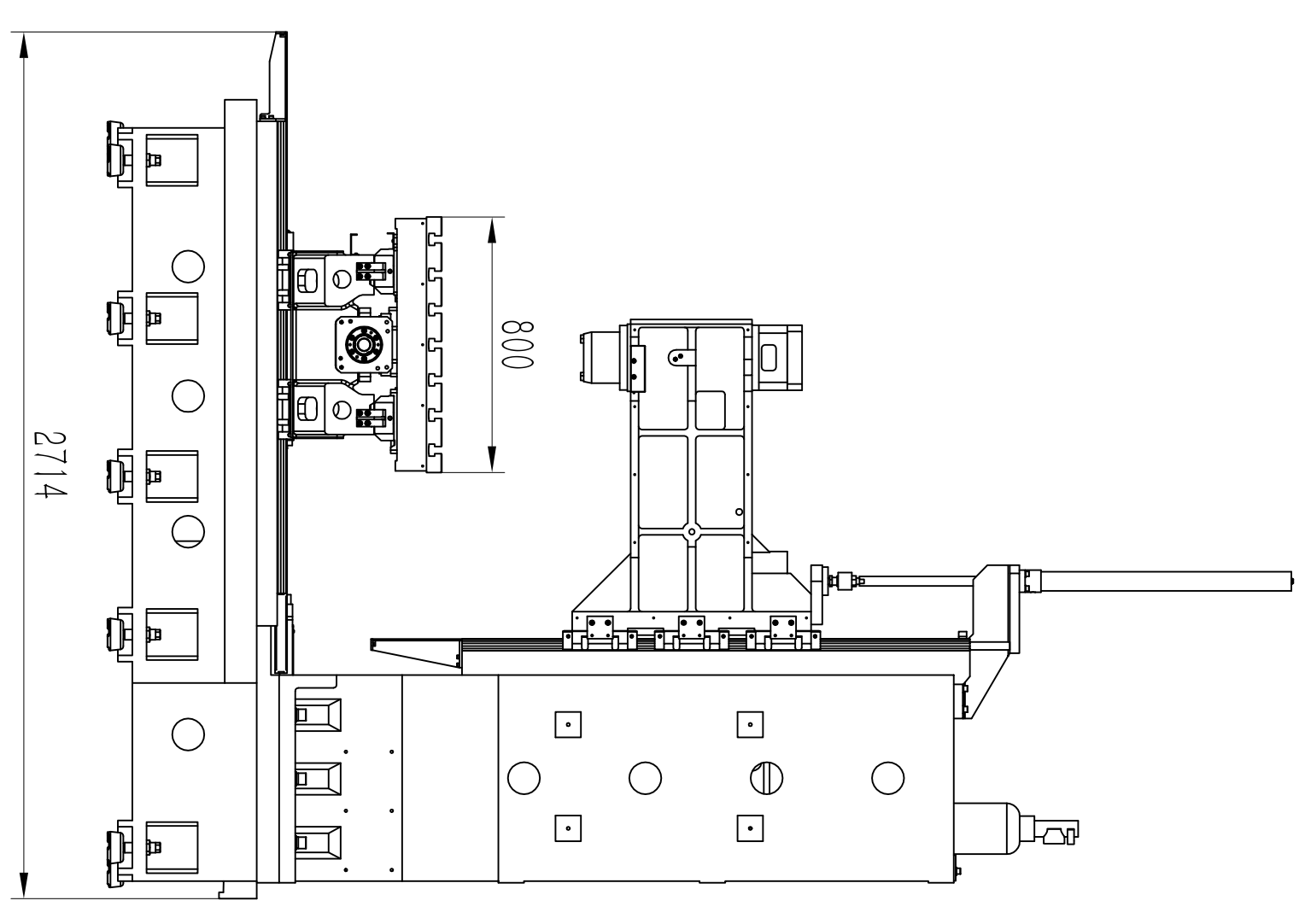
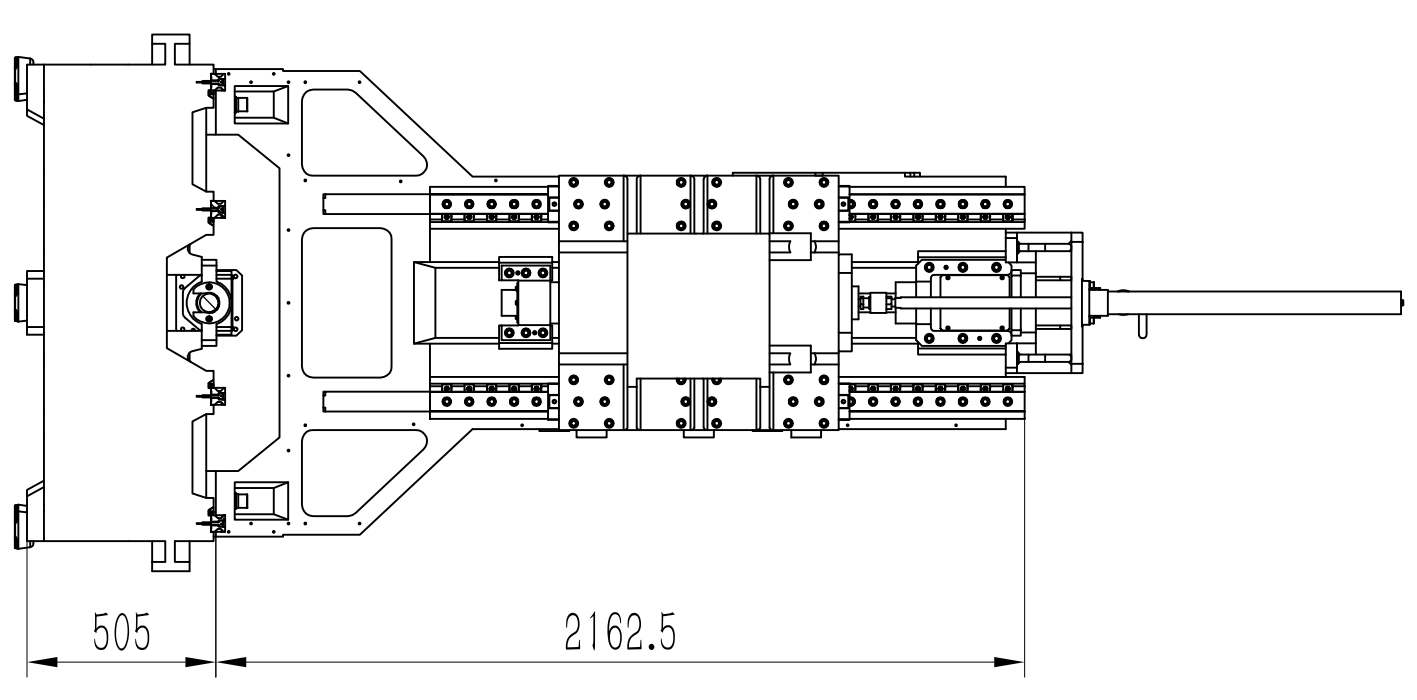
View B



X, Y, Z three-axis Protective cover bracket (the rail extension block) by the shield manufacturer  
 (Note: Different brands of rail, rail cross-section size is different, need to pay attention to.)

ratio	model	Machine name	VMC	Part (Group)	Total Page
1:20	CTMT-LV1580			Page 1	
design					
proofread					
product design		Sichuan Chentian machine tool manufacturing Co.,LTD		remarks	raising block200mm HWINI pin roller head rail
review					
Process review					
audit		division name	base outside view	engine figure number	CTMT-LV1580-001C





X, Y, Z three-axis Protective cover bracket (line rail extension block) by the shield manufacturer  
 (Note: Different brands of rail, rail cross-section size is different, need to pay attention to.)

ratio	model	Machine name	VWC	Part (Group)	Total 1 page
1:20	CTMT-LV1580	name		Page 1	
design					
proofread		Sichuan Chentian			principal axis : Luoyi
product design		machine tool			direct connection BT40-
review		manufacturing Co.,LTD			φ150
Process review					Main motor :11KW
audit					HMWIN pin roller lead rail
		division name	bare outside view	engine figure number	CTMT-LV1580-001D