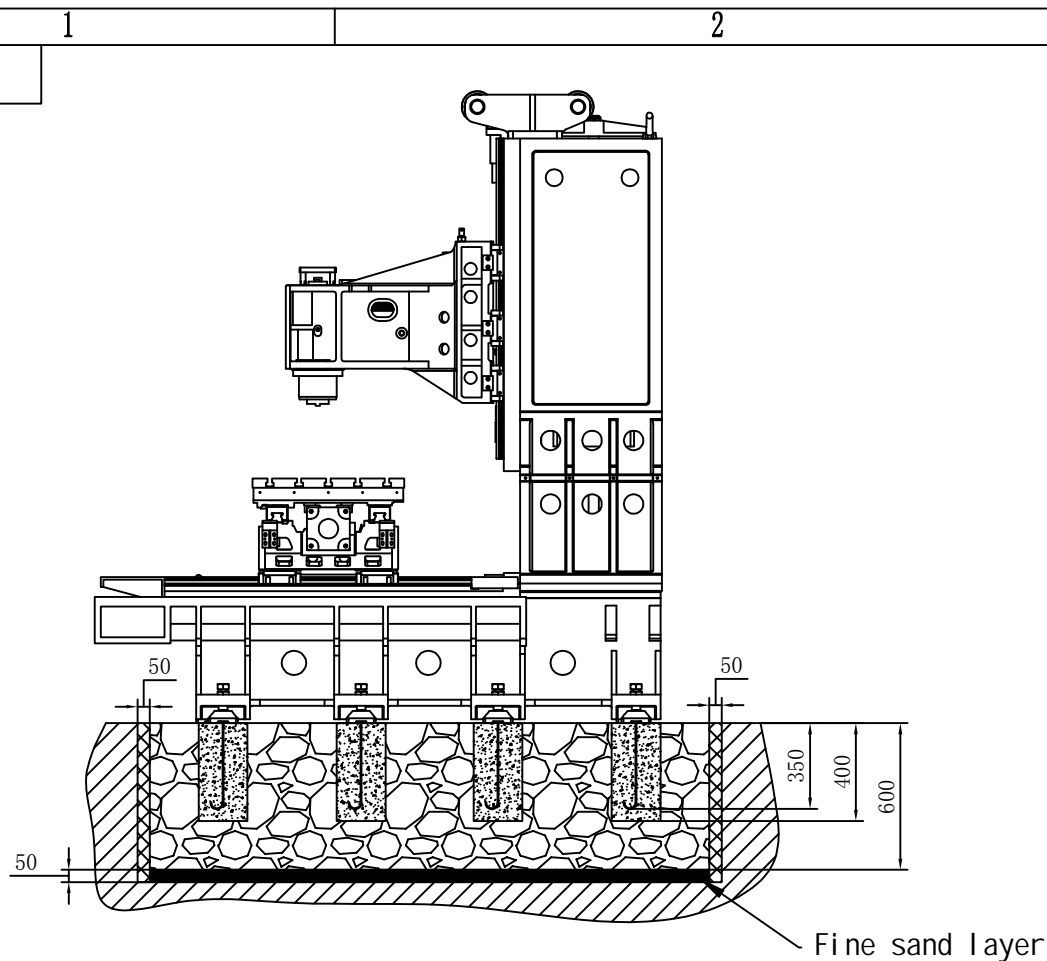
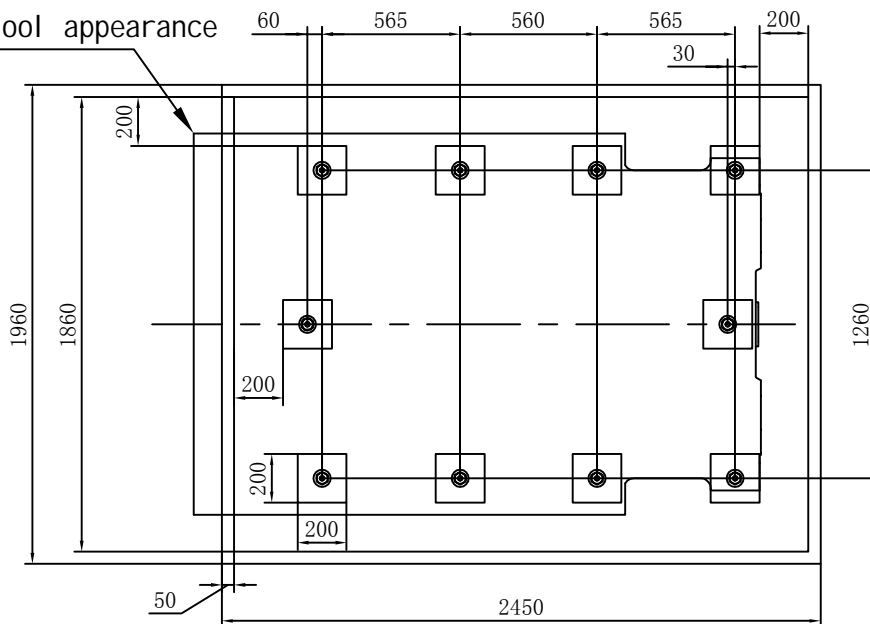


A



B

Machine tool appearance



ratio	model	CTMT-LV1160	Machine name	VMC	Part (Group)	Total 1 page
1:30						Page 1
design			Sichuan Chentian machine tool manufacturing Co.,LTD	remarks		
proofread						
product design						
review						
Process review						
audit			division name	ground plot	figure number	CTMT-LV1160-003